

AE 10/1



Short description

Electrical internal shutter, plastic, DN 100, traffic white

Application examples

Cellar, Storage room, Larder

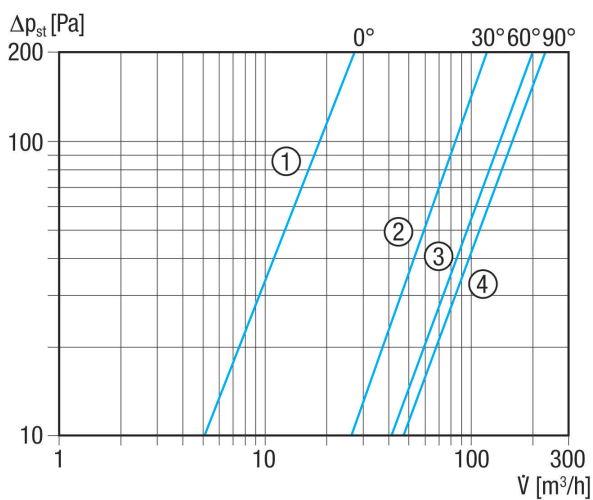
Article number 0151.0400

Technical data

Air direction	Ventilation and air extraction
Type of voltage	Alternating current
Rated voltage	230 V
Frequency	50 Hz
Power consumption	5 W
I _{nom}	25 mA
Degree of protection	IP X4
Mains cable	3 x 1,5 mm ²
Installation	Inside
Installation site	Wall / Ceiling
Type of installation	Surface-mounted
Installation position	vertical / horizontal
Material	Synthetic material
Colour	Traffic white, similar to RAL 9016
Weight	0,31 kg
Weight including packaging	0,42 kg
Type of shutter	electrical
Nominal size	100 mm
Suitable for nominal size	100 mm
Width	159 mm
Height	159 mm
Depth	85 mm
Width with packaging	170 mm
Height with packaging	170 mm
Depth with packaging	110 mm
Ambient temperature	40 °C
Packing unit	1 piece
Range	A
GTIN (EAN)	4012799514008

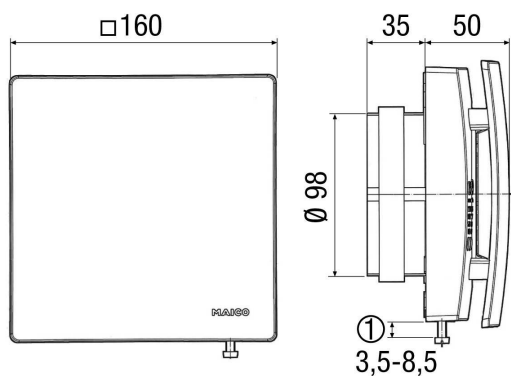
AE 10/1

Characteristic curve



- ① Closed state
- ② Opening angle 30°
- ③ Opening angle 60°
- ④ Opening angle 90°

Dimensioned drawing [mm]



- ① Setting screw for the opening angle