

AE 15/1



Short description

Electrical internal shutter, plastic, DN 150, traffic white

Application examples

Cellar, Storage room, Larder

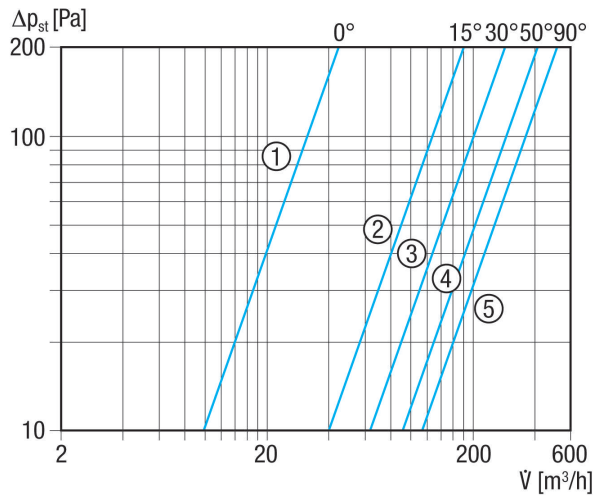
Article number 0151.0401

Technical data

| | |
|----------------------------|------------------------------------|
| Air direction | Ventilation and air extraction |
| Type of voltage | Alternating current |
| Rated voltage | 230 V |
| Frequency | 50 Hz |
| Power consumption | 5 W |
| Degree of protection | IP X4 |
| Mains cable | 3 x 1,5 mm ² |
| Installation | Inside |
| Installation site | Wall / Ceiling |
| Type of installation | Surface-mounted |
| Installation position | vertical / horizontal |
| Material | Synthetic material |
| Colour | Traffic white, similar to RAL 9016 |
| Weight | 0,74 kg |
| Weight including packaging | 1 kg |
| Type of shutter | electrical |
| Nominal size | 150 mm |
| Suitable for nominal size | 150 mm |
| Width | 228 mm |
| Height | 228 mm |
| Depth | 108 mm |
| Width with packaging | 245 mm |
| Height with packaging | 320 mm |
| Depth with packaging | 125 mm |
| Ambient temperature | 40 °C |
| Packing unit | 1 piece |
| Range | A |
| GTIN (EAN) | 4012799514015 |

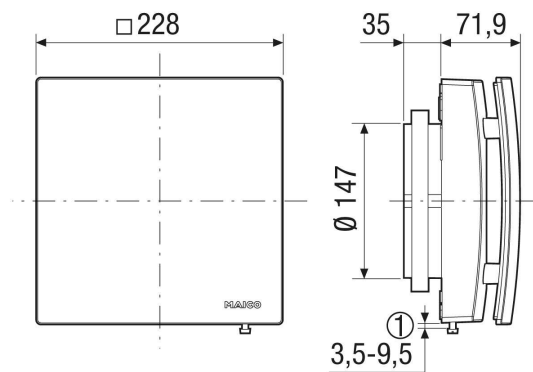
AE 15/1

Characteristic curve



- ① Closed state
- ② Opening angle 15°
- ③ Opening angle 30°
- ④ Opening angle 50°
- ⑤ Opening angle 90°

Dimensioned drawing [mm]



- ① Setting screw for the opening angle