

AKE 150/1



Short description

Automatic cellar dehumidification, DN 150, air volume 250 m³/h

Application examples

Cellar and/or cellar room, Utility room, Drying room, Utility room

Article number 0084.0459

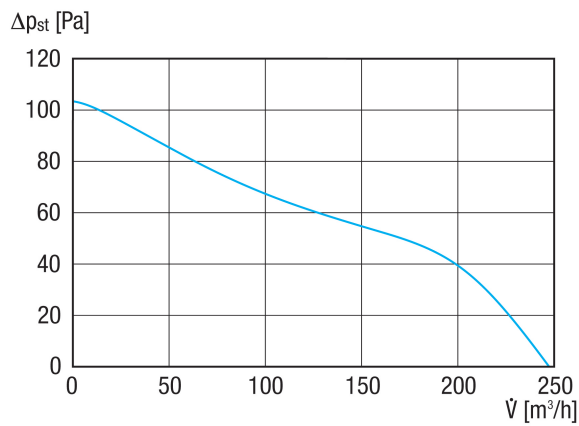
Technical data

Air flow volume	250 m ³ /h
Rotating speed	2.189 1/min
Speed controllable	–
Reversing capacity	–
SEC average	-24,48 kWh/(m ² ·a)
Type of voltage	Alternating current
Rated voltage	230 V
Frequency	50 Hz
Nominal output	19 W
Stand-by power consumption	2 W
I _{max}	0,09 A
Degree of protection	IP X4
Mains cable	5 x 1,5 mm ²
Installation site	Wall
Installation site	Cellar / Garage
Type of installation	Surface-mounted
Installation position	any
Material	Synthetic material
Colour	Traffic white, similar to RAL 9016
Weight	1,8 kg
Weight including packaging	2,37 kg
Nominal size	150 mm
Cable length	1,5 m
Width	228 mm
Height	228 mm
Depth	178,3 mm
Width with packaging	303 mm
Height with packaging	273 mm
Depth with packaging	303 mm

AKE 150/1

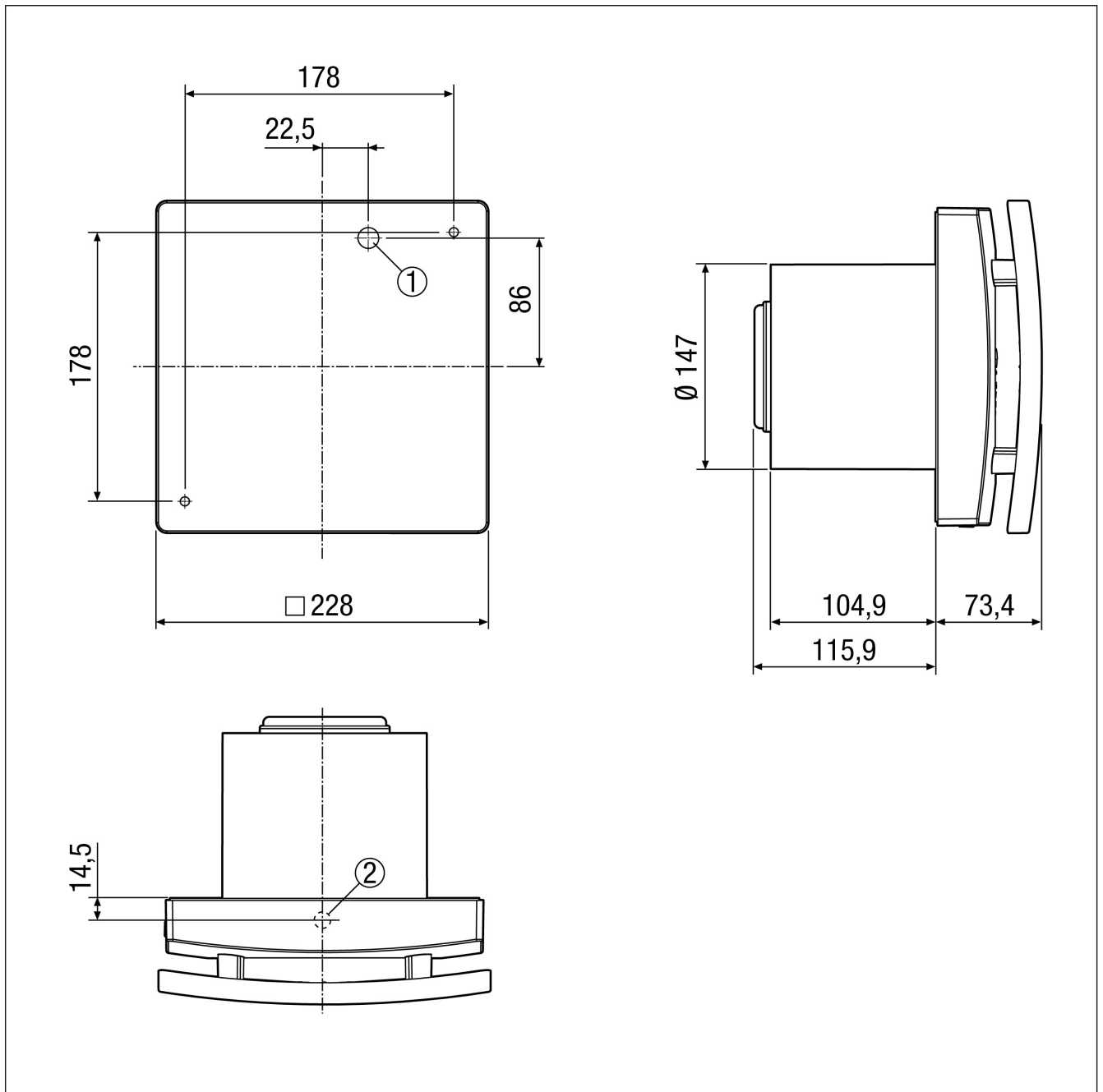
Wall thickness	max. 0.85 m (if a 1m length of cable isn't sufficient, please also order the 6m sensor cable)
Airstream temperature at I_{Max}	40 °C
Sound pressure level	40 dB (Distance 3 m, Free-field conditions)
Packing unit	1 piece
Range	A
GTIN (EAN)	4012799844594

Characteristic curve



AKE 150/1

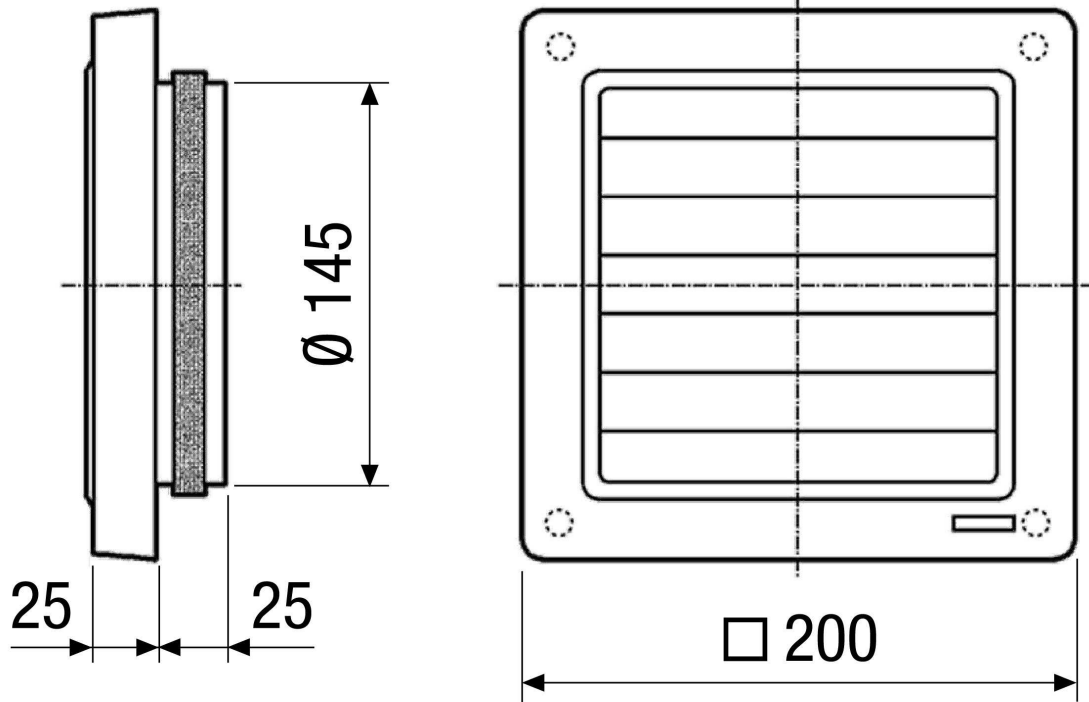
Dimensioned drawing [mm]



- ① Cable entry for recessed-mounted connection
- ② Cable bushing for surface-mounted connection

AKE 150/1

Dimensioned drawing [mm]



External shutter (included in the scope of delivery)