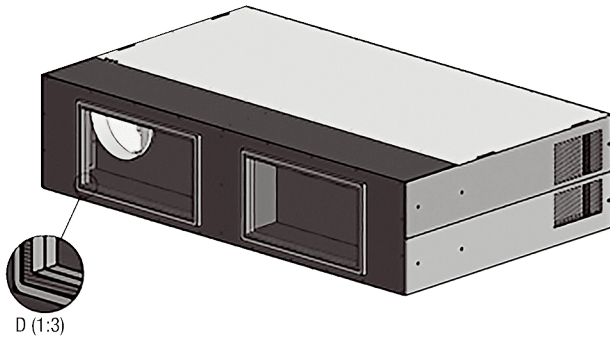


AKU GVX600H

Short description

Plenum box for installing the geniovent.x 600 H units in a window front

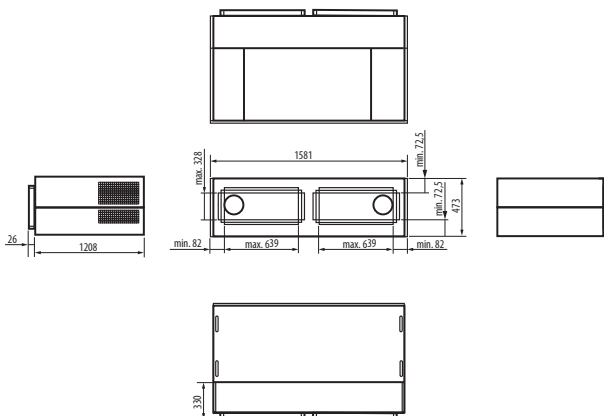


Article number 0157.1478

Technical data

| | |
|----------------------------|--------------------------------|
| Installation site | Outside wall / External façade |
| Weight | 70 kg |
| Weight including packaging | 90 kg |
| Width | 1.581 mm |
| Height | 473 mm |
| Depth | 1.208 mm |
| Width with packaging | 1.681 mm |
| Height with packaging | 573 mm |
| Depth with packaging | 1.308 mm |
| Packing unit | 1 piece |
| Range | X |
| GTIN (EAN) | 4012799320296 |

Dimensioned drawing [mm]



Within the laser-cut rear contour of the plenum box, the following must be provided by the customer: the window connection openings are created or cut out. The minimum and maximum values must be adhered to.