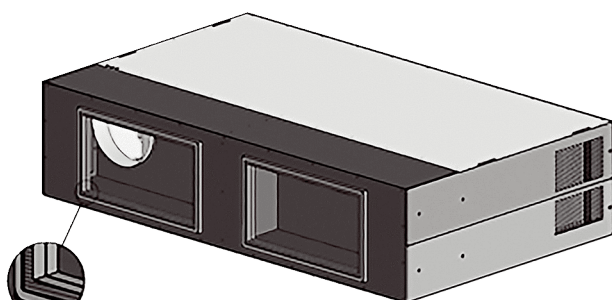


# AKU GVX900H

## Short description

Plenum box for installing the geniovent.x 900 H units in a window front



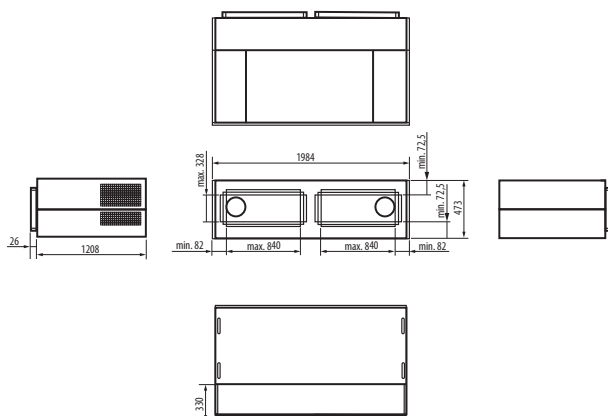
D (1:3)

Article number 0157.1477

## Technical data

|                            |                                |
|----------------------------|--------------------------------|
| Installation site          | Outside wall / External façade |
| Weight                     | 80 kg                          |
| Weight including packaging | 100 kg                         |
| Width                      | 1.984 mm                       |
| Height                     | 473 mm                         |
| Depth                      | 1.208 mm                       |
| Width with packaging       | 2.084 mm                       |
| Height with packaging      | 573 mm                         |
| Depth with packaging       | 1.308 mm                       |
| Packing unit               | 1 piece                        |
| Range                      | X                              |
| GTIN (EAN)                 | 4012799320302                  |

## Dimensioned drawing [mm]



Within the laser-cut rear contour of the plenum box, the following must be provided by the customer: the window connection openings are created or cut out. The minimum and maximum values must be adhered to.