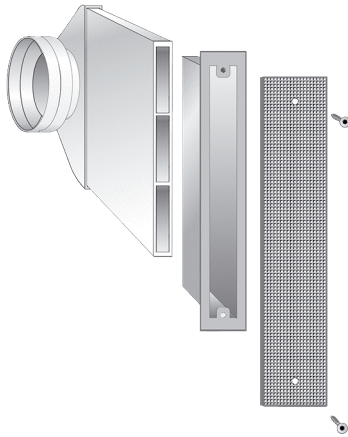


# ALD 160 LE



## Short description

ALD 160 LE soffit element is the perfect complement to the RH 160 shell sleeve. Consisting of: 1x elbow with round connection, DN 150; 1x flat rectangular duct, B/H/L: 225 / 25 / 500 mm; 1x stainless steel external grille, W/H: 63 / 281 mm

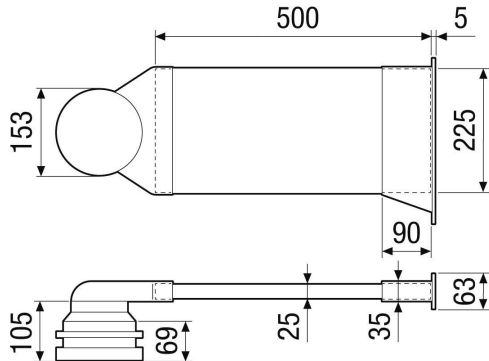
Article number 0093.1761

## Technical data

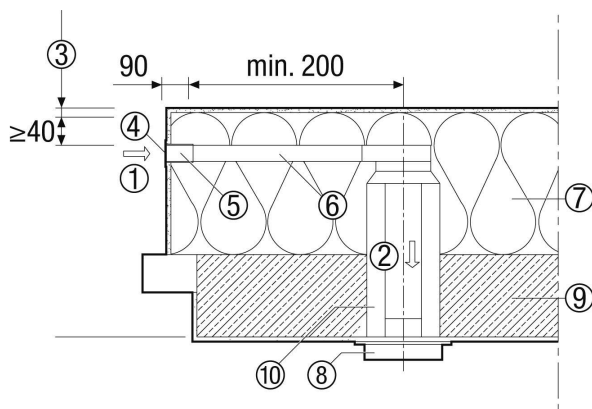
Air direction	Supply air
Max. volumetric flow	14 m <sup>3</sup> /h / 20 m <sup>3</sup> /h / 22 m <sup>3</sup> /h / at 4 Pa / at 8 Pa / at 10 Pa
Installation site	Outside wall / External grille in the window soffit / Exterior wall in thermal insulation composite system
Material	Elbow and flat rectangular duct: HIPS, external grille: stainless steel, brushed
Housing material	Plastic / stainless steel
Fire behaviour	Classification according to DIN EN 13 501-1: "E"
Colour	white, similar to RAL 9003
Weight	1,39 kg
Weight including packaging	2,1 kg
Nominal size	150 mm
Width	640 mm
Height	240 mm
Depth	95 mm
Width with packaging	715 mm
Height with packaging	250 mm
Depth with packaging	225 mm
Cable conduit nominal size	160 mm
Ambient temperature	60 °C
Rated element standard sound level difference $D_{n,w}$	54 dB / 57 dB (in combination with ZLV-80 dBplus with pipe length 240 mm /in combination with ZLV-80 dBplus with pipe length 400 mm)
Rated sound reduction index $R_{w,R}$	25 dB / 28 dB (in combination with ZLV-80 dBplus with pipe length 240 mm /in combination with ZLV-80 dBplus with pipe length 400 mm)
Packing unit	1 piece
Range	B
GTIN (EAN)	4012799320289

# ALD 160 LE

Dimensioned drawing [mm]



Dimensioned drawing Installation example in the side window soffit, top view [mm]



- ① Outside
- ② Airflow direction
- ③ Exterior plaster
- ④ External grille in window soffit (281x63 mm)
- ⑤ Stainless steel base element
- ⑥ Flat rectangular duct (233x29 mm) plastic
- ⑦ Thermal insulation composite system/mineral wool
- ⑧ Inner part with filter
- ⑨ e.g. concrete wall
- ⑩ Cable conduit with sound insulation pipe DN 160, DN 125 opt. (500 mm, can be shortened on site)