

ASI 28



Short description

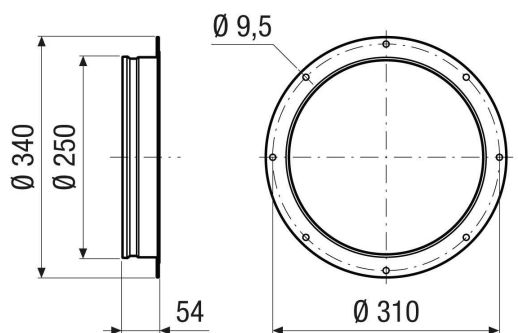
Intake socket for flow-optimised air intake, DN 280

Article number 0073.0436

Technical data

Air direction	Ventilation and air extraction
Material	Sheet steel, coated
Colour	grey
Weight	0,8 kg
Weight including packaging	0,8 kg
Size	280
Width	340 mm
Height	250 mm
Depth	54 mm
Width with packaging	340 mm
Height with packaging	250 mm
Depth with packaging	54 mm
Packing unit	1 piece
Range	C
GTIN (EAN)	4012799734369

Dimensioned drawing [mm]



ASI 28

