

ASI 35



Short description

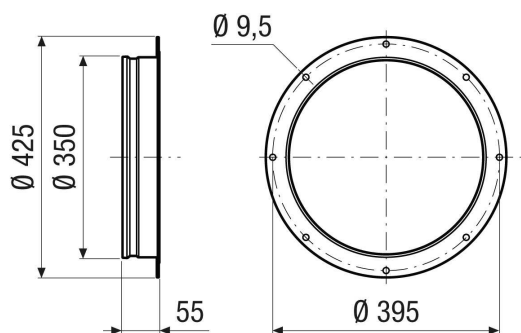
Intake socket for flow-optimised air intake, DN 355

Article number 0073.0438

Technical data

Air direction	Ventilation and air extraction
Material	Sheet steel, coated
Colour	grey
Weight	1 kg
Weight including packaging	1 kg
Size	355
Width	425 mm
Height	350 mm
Depth	55 mm
Width with packaging	425 mm
Height with packaging	350 mm
Depth with packaging	55 mm
Packing unit	1 piece
Range	C
GTIN (EAN)	4012799734383

Dimensioned drawing [mm]



ASI 35

