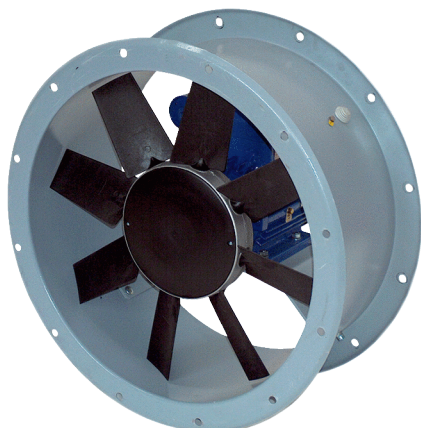


DAR 125/6 7,5



Short description

Axial duct fan, DN 1250, three-phase AC, nominal power 7.5 kW

Application examples

Production facility, Workplace, Commercial premises, Industrial building

Article number 0073.0187

Technical data

| | |
|---|--------------------------------|
| Air flow volume | 73.080 m³/h |
| Rotating speed | 960 1/min |
| Impeller type | axial |
| Speed controllable | ✓ |
| Reversing capacity | – |
| Type of voltage | Three-phase AC |
| Rated voltage | 400 V |
| Frequency | 50 Hz |
| Nominal output | 7.500 W |
| I _{nom} | 16,97 A |
| Degree of protection | IP 55 |
| Insulation class | F |
| Pole-changeable | – |
| Installation site | Duct |
| Installation position | Horizontal |
| Housing material | Sheet steel with epoxy coating |
| Impeller material | Polyamide |
| Colour | grey |
| Weight | 228 kg |
| Weight including packaging | 253 kg |
| Nominal size | 1.250 mm |
| Width | 1.380 mm |
| Height | 750 mm |
| Depth | 1.380 mm |
| Width with packaging | 1.500 mm |
| Height with packaging | 1.150 mm |
| Depth with packaging | 1.620 mm |
| Airstream temperature at I _{Max} | -10 °C up to 50 °C |
| PTC DIN 44082 | M 100 |

DAR 125/6 7,5

| | |
|--------------|---------------|
| Packing unit | 1 piece |
| Range | C |
| GTIN (EAN) | 4012799731870 |

Technical data according to ErP in Best Efficiency Point (BEP)

| | |
|--|--|
| Total efficiency η | 45,8 % |
| Measurement category | C |
| Efficiency category | static |
| Efficiency level N | 46,4 |
| VSD necessary | No |
| Year of manufacture | see rating plate |
| Manufacturer's name / official registration number / manufacturer's place of establishment | Maico Elektroapparate-Fabrik GmbH / Freiburg registration court, HRB 601233 / Villingen-Schwenningen |
| Art. No. | 0073.0187 |
| P_{BEP} / Air volume $_{BEP}$ / $P_{fs, BEP}$ | 7,959 kW / 47.520 m ³ /h / 276 Pa |
| n_{BEP} | 970 1/min |
| Specific ratio | ≈ 1 |
| Information about dismantling and disposal | see mounting instructions |
| Information about installation, operation and repairs | see mounting instructions |
| Objects used to measure efficiency which are not described by the measurement category | - |
| I_{BEP} | 16,97 A |
| $P_{f, BEP}$ | 276 Pa |
| Sound power level $_{L_{WA7}}$ | 97 dB(A) |

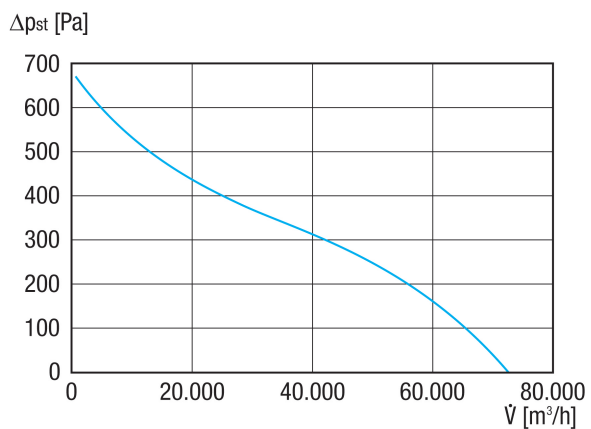
Sound power level in octave range

| | 63 Hz | 125 Hz | 250 Hz | 500 Hz | 1 kHz | 2 kHz | 4 kHz | 8 kHz | Total |
|---|-------|--------|--------|--------|-------|-------|-------|-------|-------|
| $L_{WA5, S5}$ (dB(A)) | 71 | 79 | 85 | 89 | 92 | 91 | 90 | 85 | 97 |

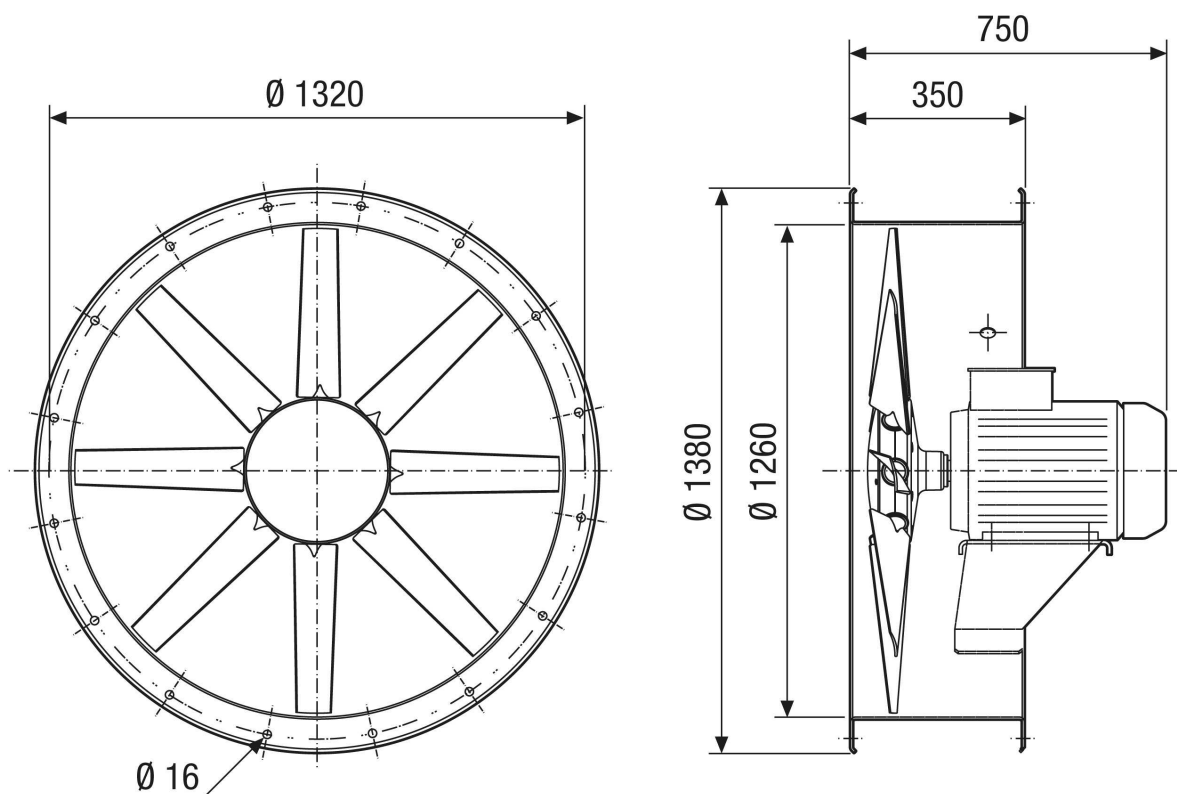
L_{WA5} = free inlet sound power level in dB.

DAR 125/6 7,5

Characteristic curve



Dimensioned drawing [mm]



Quantity of holes: 20