

DAR 160/6 22



Short description

Axial duct fan, DN 1600, three-phase AC, nominal power 22 kW

Application examples

Production facility, Workplace, Commercial premises, Industrial building

Article number 0073.0197

Technical data

Air flow volume	142.920 m³/h
Rotating speed	960 1/min
Impeller type	axial
Speed controllable	✓
Reversing capacity	–
Type of voltage	Three-phase AC
Rated voltage	400 V
Frequency	50 Hz
Nominal output	22.000 W
I _{nom}	42,51 A
Degree of protection	IP 55
Insulation class	F
Pole-changeable	–
Installation site	Duct
Installation position	Horizontal
Housing material	Sheet steel with epoxy coating
Impeller material	Polyamide
Colour	grey
Weight	508 kg
Weight including packaging	535 kg
Nominal size	1.600 mm
Width	1.730 mm
Height	940 mm
Depth	1.730 mm
Width with packaging	1.800 mm
Height with packaging	1.500 mm
Depth with packaging	1.980 mm
Airstream temperature at I _{Max}	-10 °C up to 50 °C
PTC DIN 44082	M 100

DAR 160/6 22

Packing unit	1 piece
Range	C
GTIN (EAN)	4012799731979

Technical data according to ErP in Best Efficiency Point (BEP)

Total efficiency η	50,7 %
Measurement category	C
Efficiency category	static
Efficiency level N	48,5
VSD necessary	No
Year of manufacture	see rating plate
Manufacturer's name / official registration number / manufacturer's place of establishment	Maico Elektroapparate-Fabrik GmbH / Freiburg registration court, HRB 601233 / Villingen-Schwenningen
Art. No.	0073.0197
P_{BEP} / Air volume $_{BEP}$ / $P_{fs, BEP}$	22,992 kW / 82.800 m ³ /h / 507 Pa
n_{BEP}	950 1/min
Specific ratio	≈ 1
Information about dismantling and disposal	see mounting instructions
Information about installation, operation and repairs	see mounting instructions
Objects used to measure efficiency which are not described by the measurement category	-
I_{BEP}	42,51 A
Sound power level $_{L_{WA7}}$	103 dB(A)

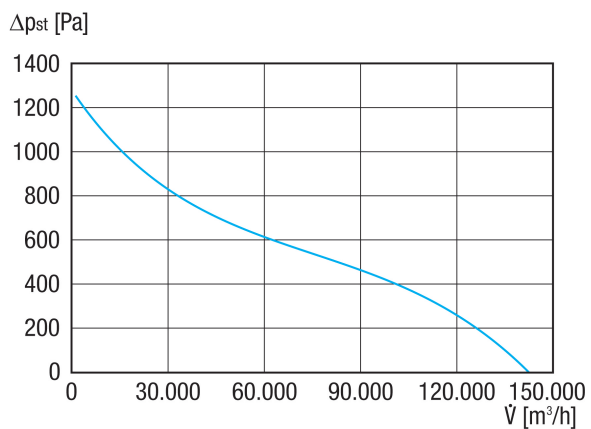
Sound power level in octave range

	63 Hz	125 Hz	250 Hz	500 Hz	1 kHz	2 kHz	4 kHz	8 kHz	Total
$L_{WA5, S5}$ (dB(A))	72	83	89	94	97	97	98	93	103

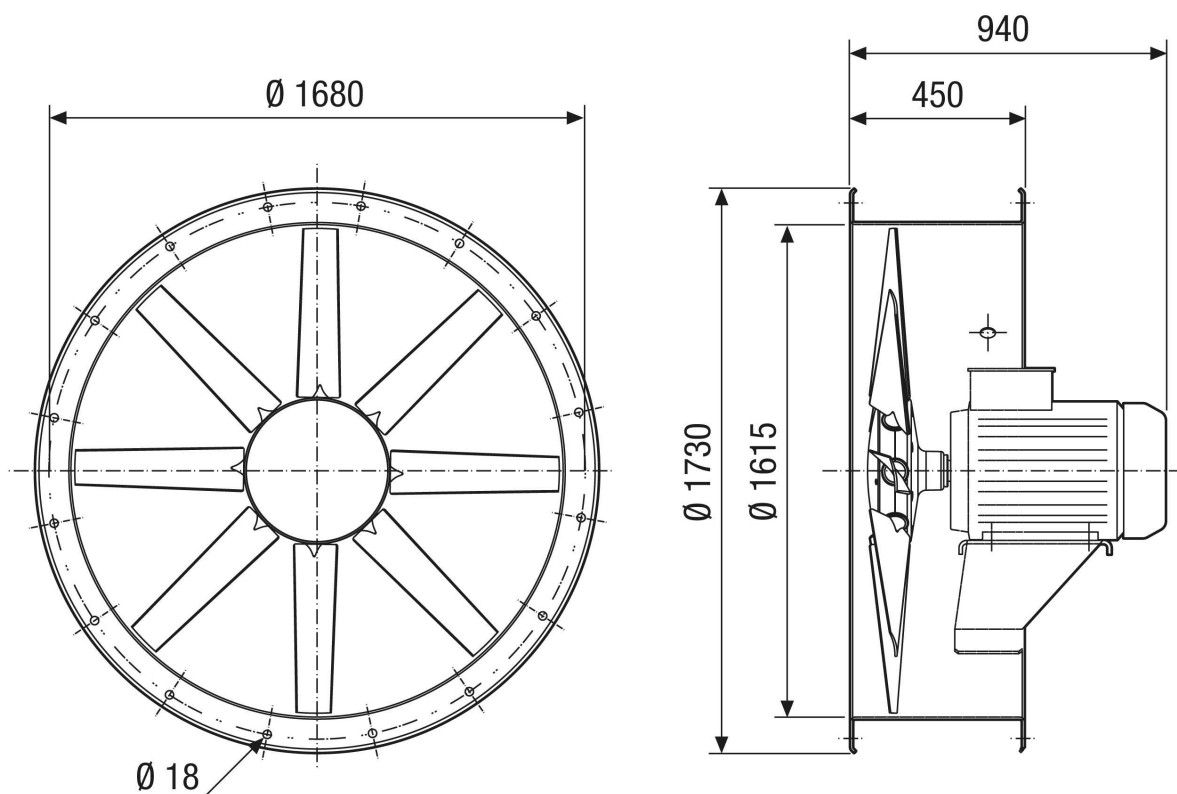
L_{WA5} = free inlet sound power level in dB.

DAR 160/6 22

Characteristic curve



Dimensioned drawing [mm]



Quantity of holes: 24