

# DAR 63/8 0,18



## Short description

Axial duct fan, DN 630, three-phase AC, nominal power 0.18 kW

## Application examples

Production facility, Workplace, Commercial premises, Industrial building

Article number 0073.0127

## Technical data

|   |                                |
|---|--------------------------------|
| Air flow volume                           | 8.100 m³/h                     |
| Rotating speed                            | 720 1/min                      |
| Impeller type                             | axial                          |
| Speed controllable                        | ✓                              |
| Reversing capacity                        | –                              |
| Type of voltage                           | Three-phase AC                 |
| Rated voltage                             | 400 V                          |
| Frequency                                 | 50 Hz                          |
| Nominal output                            | 180 W                          |
| I <sub>nom</sub>                          | 0,83 A                         |
| Degree of protection                      | IP 55                          |
| Insulation class                          | F                              |
| Pole-changeable                           | –                              |
| Installation site                         | Duct                           |
| Installation position                     | Horizontal / Vertical          |
| Housing material                          | Sheet steel with epoxy coating |
| Impeller material                         | Polyamide                      |
| Colour                                    | grey                           |
| Weight                                    | 32 kg                          |
| Weight including packaging                | 37 kg                          |
| Nominal size                              | 630 mm                         |
| Width                                     | 730 mm                         |
| Height                                    | 500 mm                         |
| Depth                                     | 730 mm                         |
| Width with packaging                      | 830 mm                         |
| Height with packaging                     | 600 mm                         |
| Depth with packaging                      | 830 mm                         |
| Airstream temperature at I <sub>Max</sub> | -10 °C up to 50 °C             |
| PTC DIN 44082                             | M 100                          |

# DAR 63/8 0,18

|              |               |
|--------------|---------------|
| Packing unit | 1 piece       |
| Range        | C             |
| GTIN (EAN)   | 4012799731276 |

## Technical data according to ErP in Best Efficiency Point (BEP)

|  |  |
|--|--|
| Total efficiency $\eta$  | 27 %   |
| Measurement category   | C  |
| Efficiency category  | static   |
| Efficiency level N   | 40   |
| VSD necessary  | No   |
| Year of manufacture  | see rating plate   |
| Manufacturer's name / official registration number / manufacturer's place of establishment | Maico Elektroapparate-Fabrik GmbH / Freiburg registration court, HRB 601233 / Villingen-Schwenningen |
| Art. No.   | 0073.0127  |
| $P_{BEP}$ / Air volume $_{BEP}$ / $P_{fs, BEP}$  | 0,32 kW / 5.256 m <sup>3</sup> /h / 59 Pa  |
| $n_{BEP}$  | 715 1/min  |
| Specific ratio   | $\approx 1$  |
| Information about dismantling and disposal   | see mounting instructions  |
| Information about installation, operation and repairs                                      | see mounting instructions  |
| Objects used to measure efficiency which are not described by the measurement category     | -  |
| $I_{BEP}$  | 0,83 A   |
| Sound power level $_{L_{WA7}}$   | 69 dB(A)   |

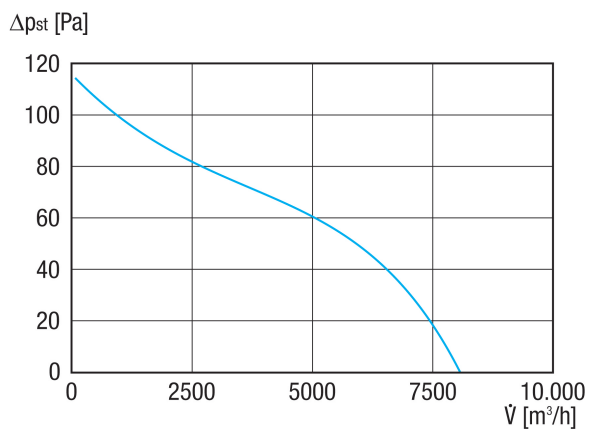
## Sound power level in octave range

|   | 63 Hz | 125 Hz | 250 Hz | 500 Hz | 1 kHz | 2 kHz | 4 kHz | 8 kHz | Total |
|---|-------|--------|--------|--------|-------|-------|-------|-------|-------|
| <b><math>L_{WA5, S5}</math><br/>(dB(A))</b> | 41    | 49     | 56     | 60     | 63    | 63    | 62    | 55    | 69    |

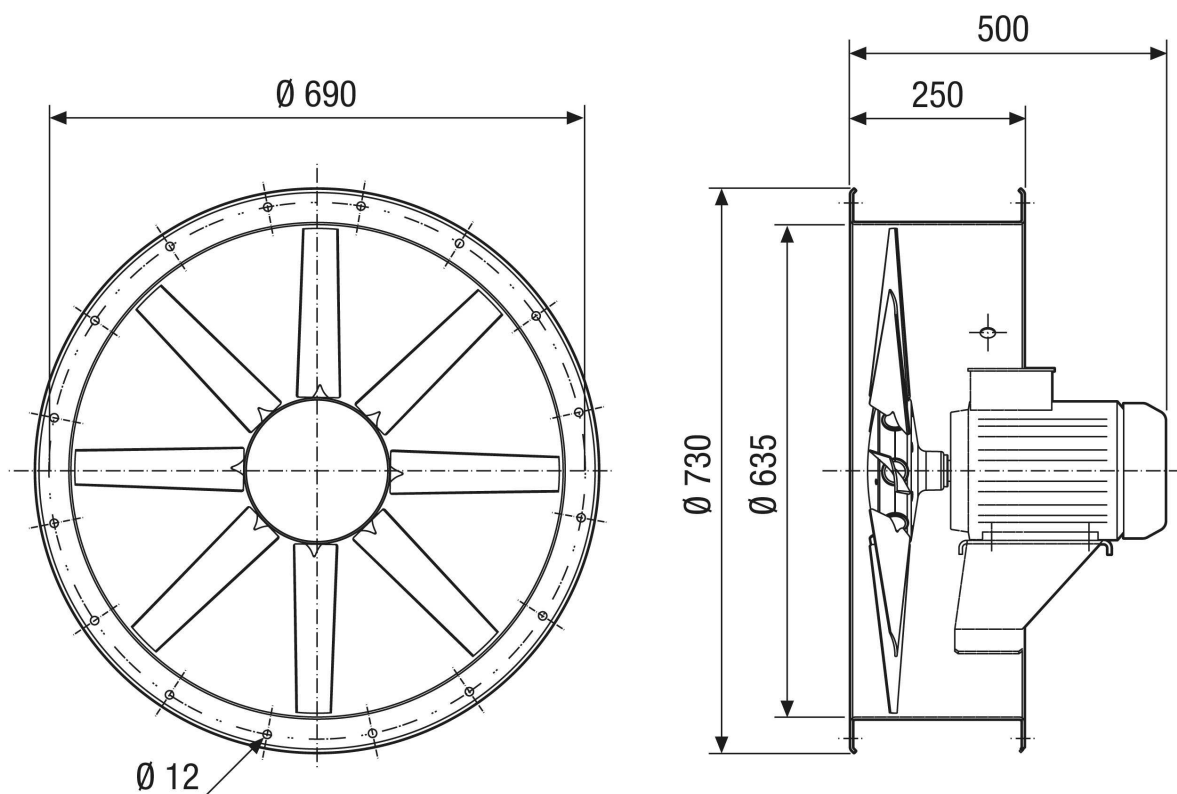
$L_{WA5}$ = free inlet sound power level in dB.

# DAR 63/8 0,18

## Characteristic curve



## Dimensioned drawing [mm]



Quantity of holes: 12