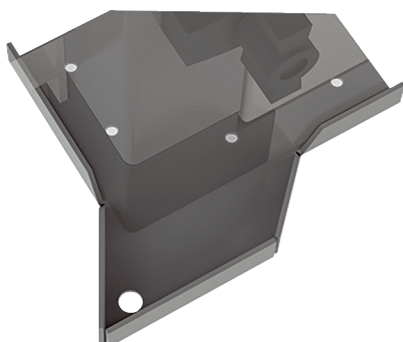


# DMW-MV4512-CM



## Short description

Ceiling fixing bracket is only available in conjunction with the corresponding ventilation unit! The ceiling fixing bracket set is mounted on the RLT 1200 and additional modules instead of the unit feet. Order with RLT central air handling unit necessary.

Article number 0043.2777

## Technical data

Installation site	on the outside of the unit
Material	Sheet steel
Colour	unpainted
Weight	0,2 kg
Weight including packaging	0,24 kg
Width	270 mm
Height	3 mm
Depth	270 mm
Width with packaging	163 mm
Height with packaging	196 mm
Depth with packaging	25 mm
Packing unit	4 pieces
Range	X
GTIN (EAN)	4012799986553

## Dimensioned drawing [mm]

