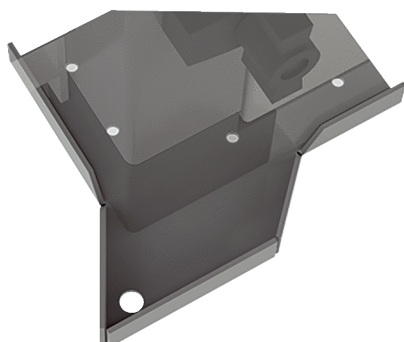


DMW-MV4555-CM



Short description

Ceiling fixing bracket is only available in conjunction with the corresponding ventilation unit! The ceiling fixing bracket set is mounted on the RLT 5500 and additional modules in place of the unit feet. Order necessary with RLT central air handling unit.

Article number 0043.2781

Technical data

Installation site	on the outside of the unit
Material	Sheet steel
Colour	unpainted
Weight	0,2 kg
Weight including packaging	0,24 kg
Width	270 mm
Height	3 mm
Depth	270 mm
Width with packaging	163 mm
Height with packaging	196 mm
Depth with packaging	25 mm
Packing unit	6 Pieces
Range	X
GTIN (EAN)	4012799986591

Dimensioned drawing [mm]

