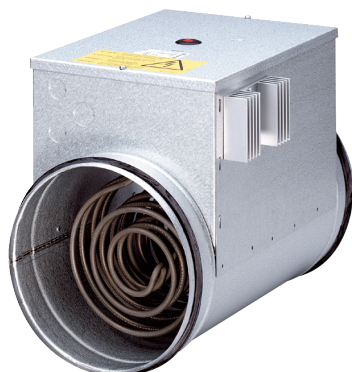


DRH 16-5 R



Short description

Electric air heater with integrated temperature controller, DN 160, three-phase AC

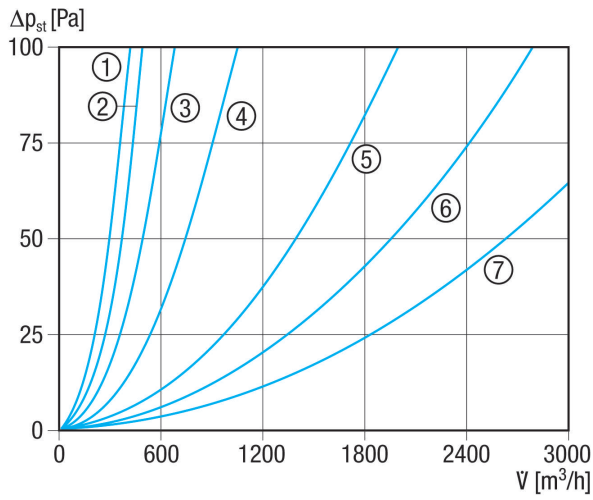
Article number 0082.0143

Technical data

Minimum air flow volume	110 m³/h
Type of voltage	Three-phase AC
Rated voltage	400 V
Frequency	50 Hz
I _{max}	12,5 A
Degree of protection	IP 43
Mains cable	5 / 1,5 mm²
Installation	Inside
Installation position	horizontal / vertical
Housing material	Sheet steel, galvanised
Weight	4,3 kg
Nominal size	160 mm
Width	160 mm
Height	241 mm
Depth	375 mm
Air heater type	electrical
Heater power rating	5.000 W
Packing unit	1 piece
Range	C
GTIN (EAN)	4012799821434

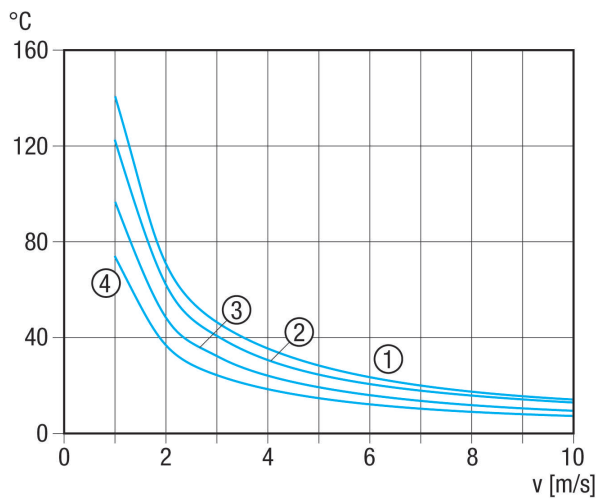
DRH 16-5 R

Characteristic curve Pressure losses



- ① ERH 16-2 R
- ② DRH 16-5 R
- ③ DRH 20-6 R
- ④ DRH 25-9 R
- ⑤ DRH 31-12 R
- ⑥ DRH 35-12 R
- ⑦ DRH 40-12 R

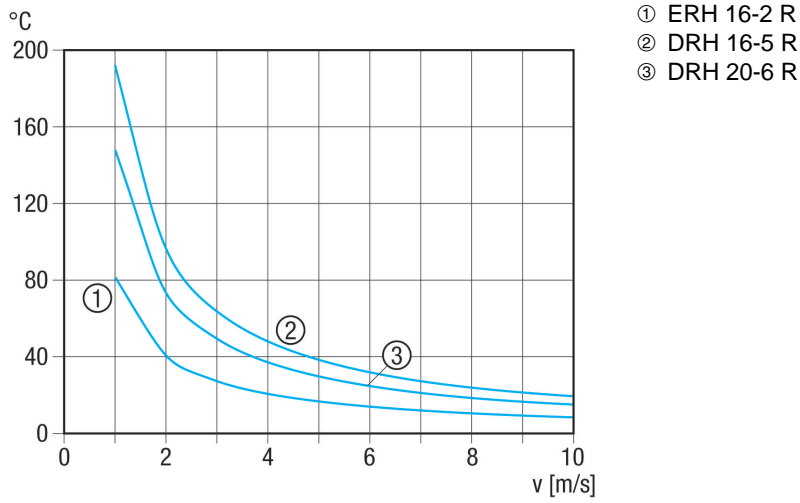
Characteristic curve Increase in temperature



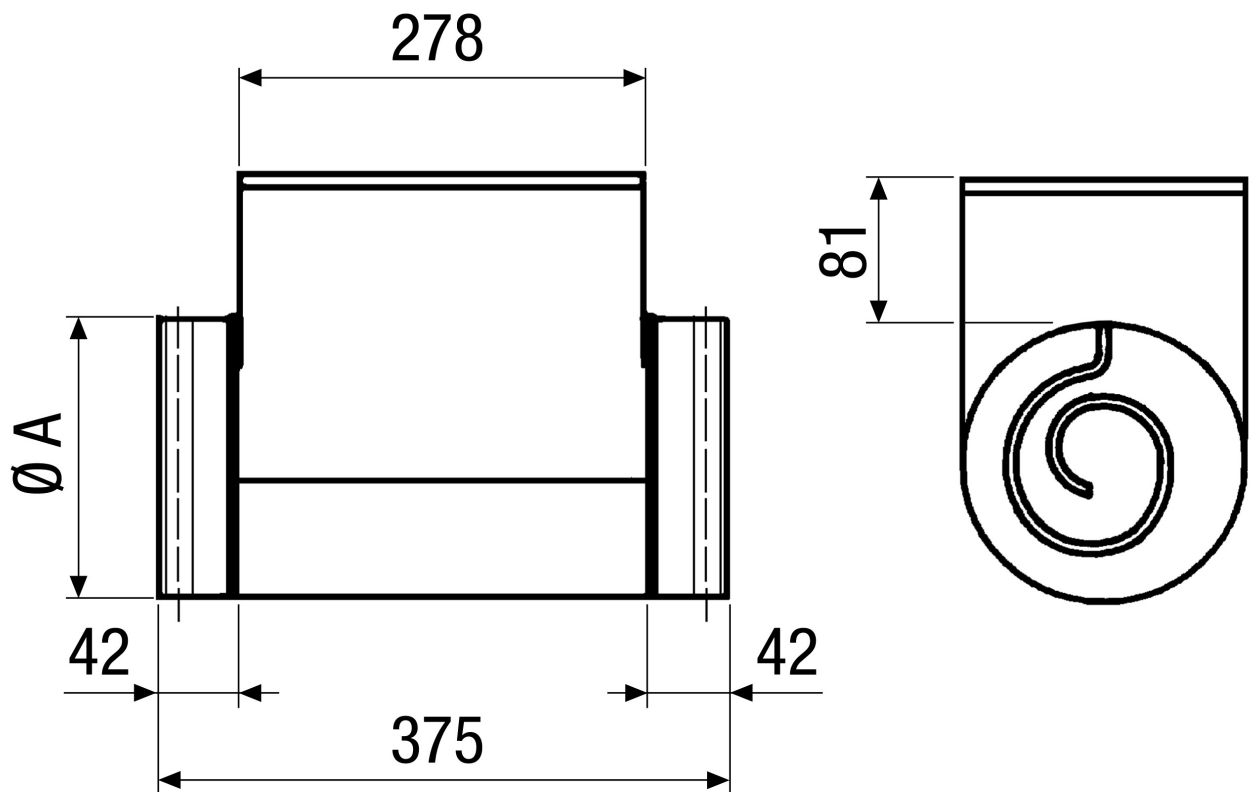
- ① DRH 25-9 R
- ② DRH 31-12 R
- ③ DRH 35-12 R
- ④ DRH 40-12 R

DRH 16-5 R

Characteristic curve Increase in temperature



Dimensioned drawing [mm]



A

160



DRH 16-5 R

DRH 35-12 R: No rubber seal on the connection couplings