

DRH 20-5



Short description

Electrical air heater, DN 200, 3-phase current

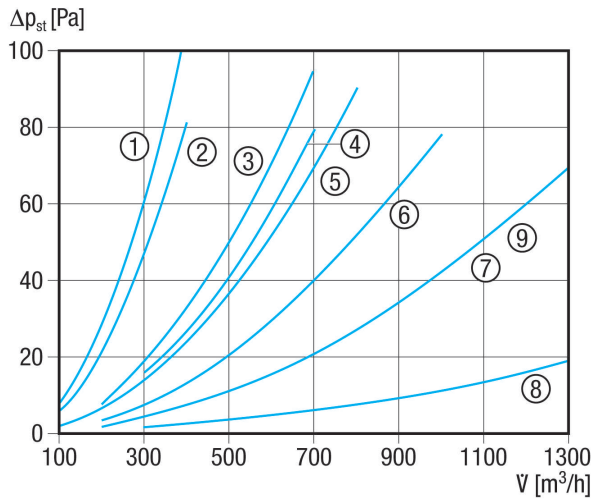
Article number 0082.0106

Technical data

Type of voltage	Three-phase AC
Rated voltage	400 V
Frequency	50 Hz
I_{max}	12,5 A
Degree of protection	IP 43
Mains cable	5 / 1,5 mm ²
Installation	Inside
Installation position	horizontal / vertical
Housing material	Sheet steel, galvanised
Weight	4,4 kg
Nominal size	200 mm
Width	200 mm
Height	281 mm
Depth	375 mm
Air heater type	electrical
Heater power rating	5.000 W
Packing unit	1 piece
Range	C
GTIN (EAN)	4012799821069

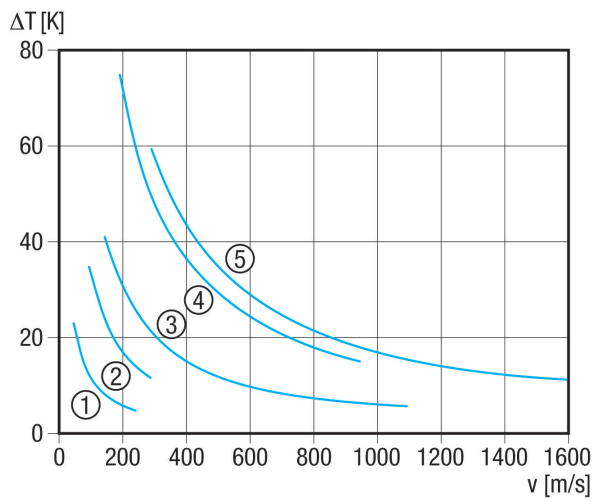
DRH 20-5

Characteristic curve Pressure losses



- ① DRH 16-5
- ② ERH 12-1
- ③ ERH 16-2
- ④ ERH 10-04
- ⑤ DRH 20-5
- ⑥ DRH 25-6
- ⑦ ERH 20-2
- ⑧ DRH 25-2
- ⑨ DRH 31-6

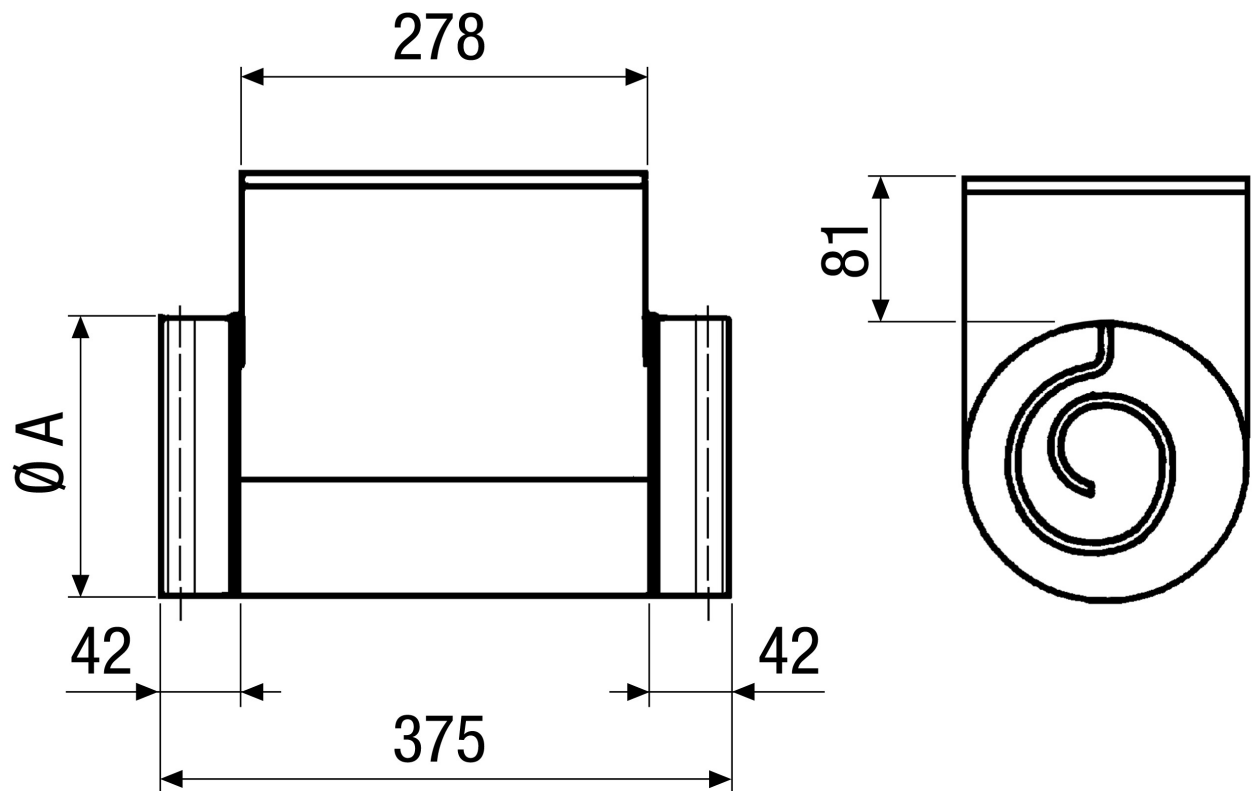
Characteristic curve Temperature rise



- ① ERH 10-4
- ② ERH 12-1
- ③ ERH 16-2, ERH 20-2, ERH 25-2
- ④ DRH 16-5, DRH 20-5
- ⑤ DRH 25-6, DRH 31-6

DRH 20-5

Dimensioned drawing [mm]



A
200