

DRH 25-6



Short description

Electrical air heater, DN 250, 400 VAC/50 Hz, 6.0 KW

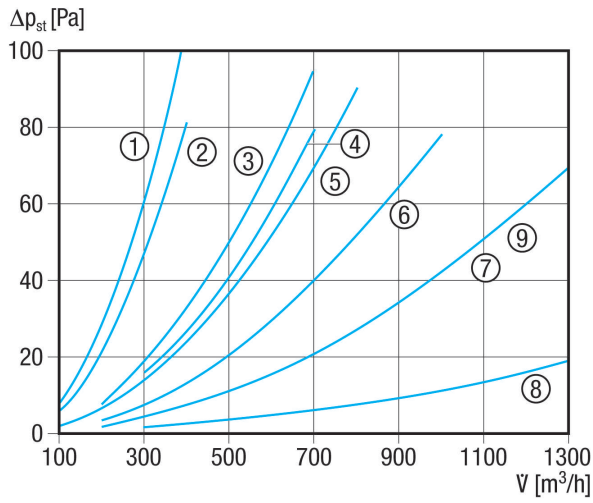
Article number 0082.0107

Technical data

Type of voltage	Three-phase AC
Rated voltage	400 V
Frequency	50 Hz
I _{max}	15 A
Degree of protection	IP 43
Mains cable	5 / 1,5 mm ²
Installation	Inside
Installation position	horizontal / vertical
Housing material	Sheet steel, galvanised
Weight	5 kg
Nominal size	250 mm
Width	250 mm
Height	331 mm
Depth	375 mm
Air heater type	electrical
Heater power rating	6.000 W
Packing unit	1 piece
Range	C
GTIN (EAN)	4012799821076

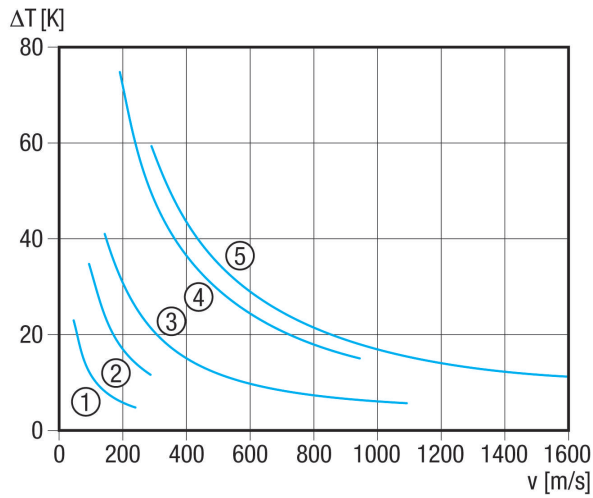
DRH 25-6

Characteristic curve Pressure losses



- ① DRH 16-5
- ② ERH 12-1
- ③ ERH 16-2
- ④ ERH 10-04
- ⑤ DRH 20-5
- ⑥ DRH 25-6
- ⑦ ERH 20-2
- ⑧ DRH 25-2
- ⑨ DRH 31-6

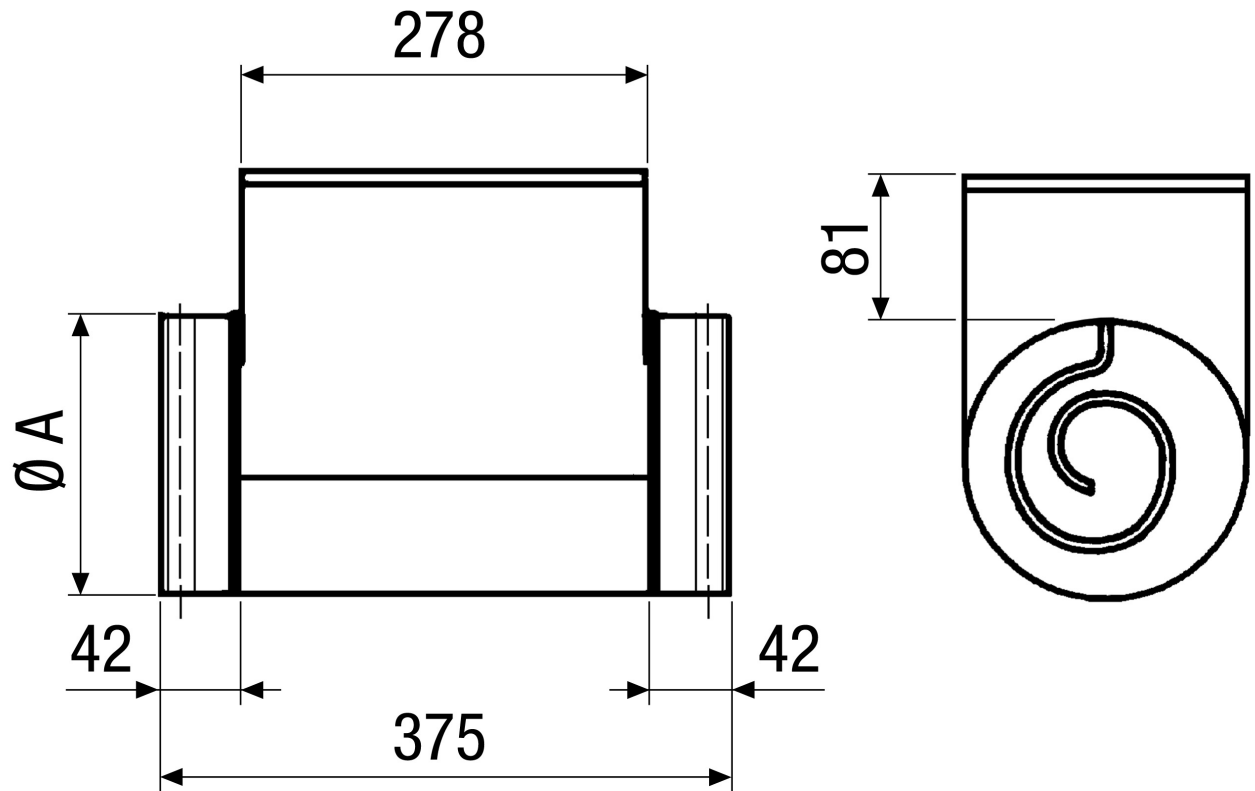
Characteristic curve Temperature rise



- ① ERH 10-4
- ② ERH 12-1
- ③ ERH 16-2, ERH 20-2, ERH 25-2
- ④ DRH 16-5, DRH 20-5
- ⑤ DRH 25-6, DRH 31-6

DRH 25-6

Dimensioned drawing [mm]



A
250