

DSQ 45/4



Short description

Sound-insulated radial fan for indoor fitting, three-phase AC, DN 450

Application examples

Workplace, Workplace air extraction system, Storage facility, Workshop, Day room

Article number 0080.0036

Technical data

Air flow volume	5.000 m ³ /h
Speed controllable	✓
Type of voltage	Three-phase AC
Rated voltage	400 V
Frequency	50 Hz
Nominal output	750 W
P _{Max}	750 W
I _{nom}	2,2 A
I _{max}	2,2 A
Degree of protection	IP 55
Insulation class	F
Mains cable	5 / 1,5 mm ²
Installation position	vertical / horizontal
Housing material	Sheet steel, galvanised
Weight	81,5 kg
Swivelling fan	–
Nominal size	450 mm
Width	756 mm
Height	750 mm
Depth	835 mm
Airstream temperature at nominal current	-20 °C up to 50 °C
Airstream temperature at I _{Max}	-20 °C up to 50 °C
Sound pressure level	50 dB(A) (Distance 3 m, Free-field conditions)
Packing unit	1 piece
Range	C
GTIN (EAN)	4012799800361

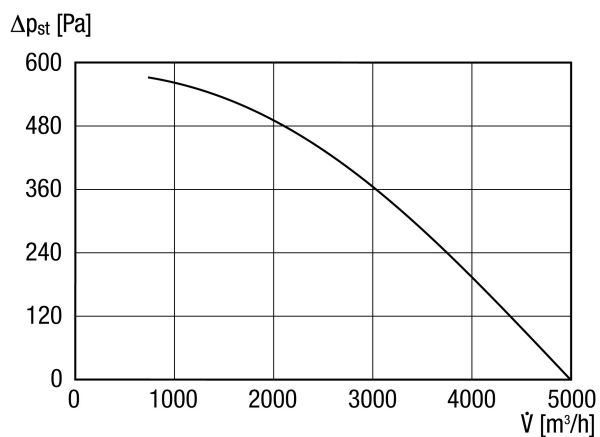
DSQ 45/4

Sound power level in octave range

	63 Hz	125 Hz	250 Hz	500 Hz	1 kHz	2 kHz	4 kHz	8 kHz	Total
L_{WA2}, high (dB(A))	–	57	60	55	59	48	47	42	65
L_{WA5}, high (dB(A))	–	64	70	72	76	69	65	60	79
L_{WA6}, high (dB(A))	–	64	72	74	81	75	74	71	84

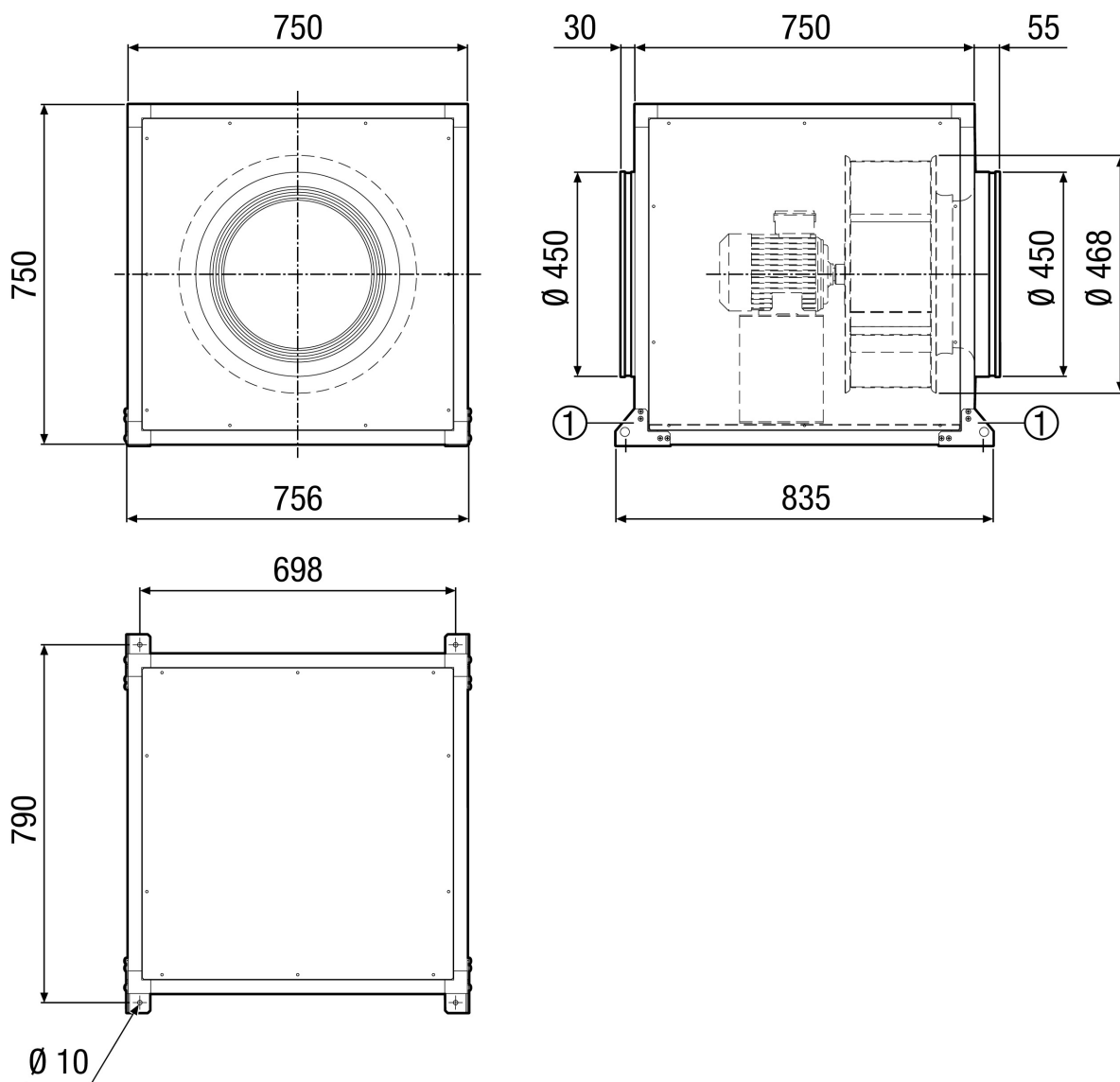
L_{WA2}= housing sound power level in dB.
 L_{WA5}= free inlet sound power level in dB.
 L_{WA6}= free outlet sound power level in dB.

Characteristic curve



DSQ 45/4

Dimensioned drawing [mm]



① Mounting bracket included in the scope of delivery