

# DSQ 56/6



## Short description

Sound-insulated radial fan for indoor fitting, three-phase AC, DN 560

## Application examples

Workplace, Workplace air extraction system, Storage facility, Workshop, Day room

Article number 0080.0040

## Technical data

Air flow volume	6.500 m <sup>3</sup> /h
Speed controllable	✓
Type of voltage	Three-phase AC
Rated voltage	400 V
Frequency	50 Hz
Nominal output	550 W
P <sub>Max</sub>	550 W
I <sub>nom</sub>	1,8 A
I <sub>max</sub>	1,8 A
Degree of protection	IP 55
Insulation class	F
Mains cable	5 / 1,5 mm <sup>2</sup>
Installation position	vertical / horizontal
Housing material	Sheet steel, galvanised
Weight	121,5 kg
Swivelling fan	–
Nominal size	560 mm
Width	1.006 mm
Height	1.000 mm
Depth	1.085 mm
Airstream temperature at nominal current	-20 °C up to 50 °C
Airstream temperature at I <sub>Max</sub>	-20 °C up to 50 °C
Sound pressure level	47 dB(A) (Distance 3 m, Free-field conditions)
Packing unit	1 piece
Range	C
GTIN (EAN)	4012799800408

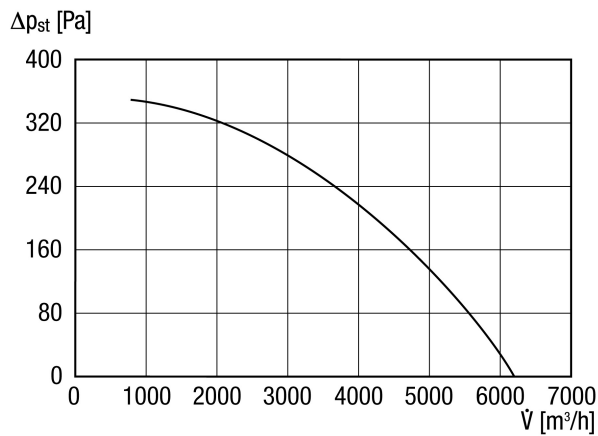
# DSQ 56/6

## Sound power level in octave range

	63 Hz	125 Hz	250 Hz	500 Hz	1 kHz	2 kHz	4 kHz	8 kHz	Total
<b>L<sub>WA2</sub>, high (dB(A))</b>	–	53	55	47	46	40	41	37	59
<b>L<sub>WA5</sub>, high (dB(A))</b>	–	60	66	64	64	60	58	53	71
<b>L<sub>WA6</sub>, high (dB(A))</b>	–	60	70	72	64	63	66	63	77

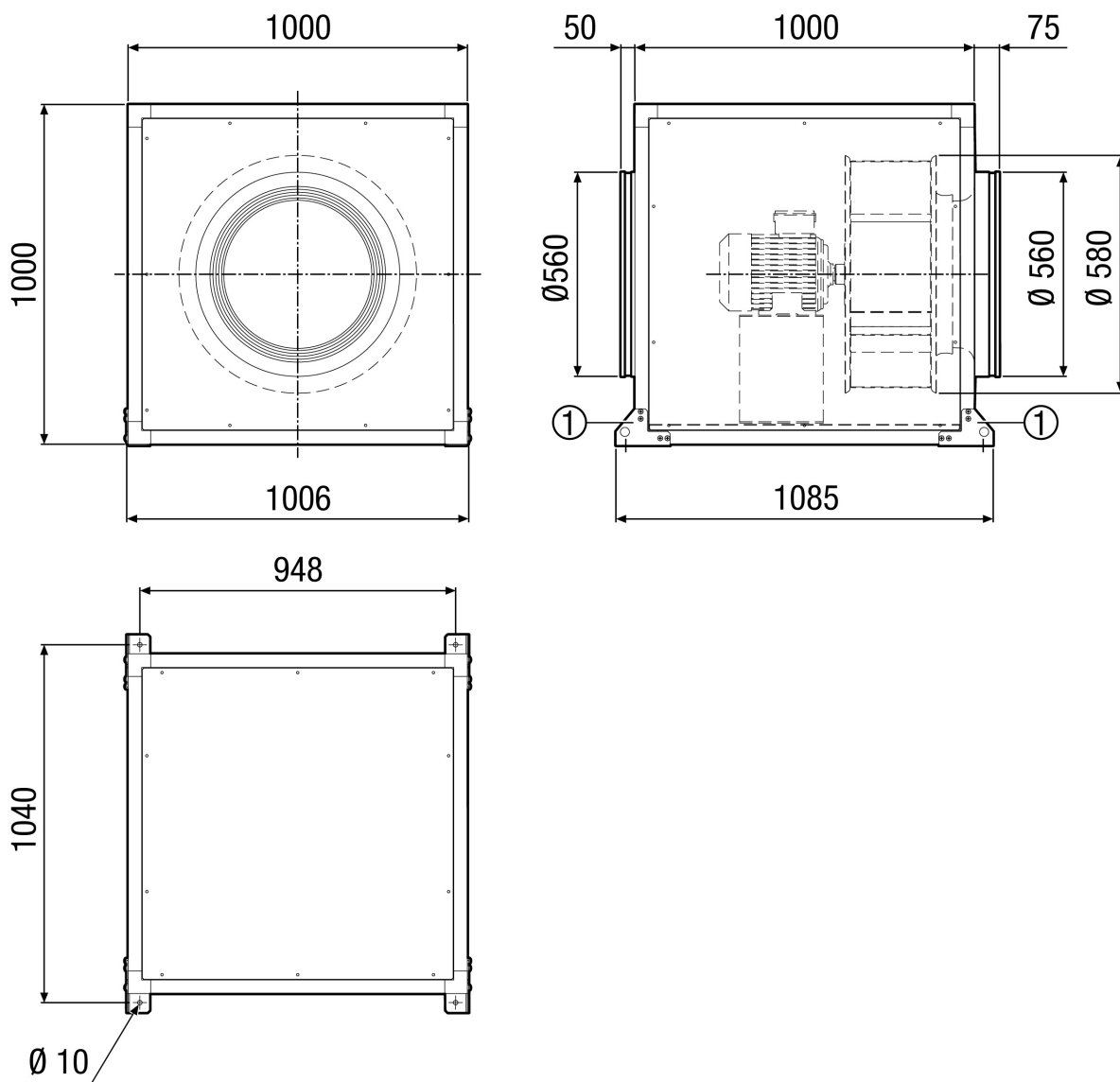
L<sub>WA2</sub>= housing sound power level in dB.  
 L<sub>WA5</sub>= free inlet sound power level in dB.  
 L<sub>WA6</sub>= free outlet sound power level in dB.

## Characteristic curve



# DSQ 56/6

Dimensioned drawing [mm]



① Mounting bracket included in the scope of delivery