

DZD 25/4 B Ex t



Short description

Axial roof fan, horizontal air outlet, DN250, three-phase AC, explosion-proof, medium: dust

Article number 0087.0810

Technical data

Air flow volume	800 m ³ /h
Rotating speed	1.475 1/min
Air direction	Ventilation and air extraction
Speed controllable	✓
Reversing capacity	✓
Type of voltage	Three-phase AC
Rated voltage	400 V
Frequency	50 Hz
Nominal output	38 W
cosφ	0,28
I _{nom}	0,19 A
I _{max} at U _{Nominal}	0,19 A
Degree of protection	IP 64
Insulation class	F
Material	Sheet steel, galvanised
Colour	galvanised
Weight	14,3 kg
Weight including packaging	16,67 kg
Nominal size	250 mm
Width	570 mm
Height	325 mm
Depth	570 mm
Width with packaging	610 mm
Height with packaging	360 mm
Depth with packaging	610 mm
EX designation in accordance with the ATEX Directive	Ex II 2 D
EX designation in accordance with standard	Ex tb IIIC T135°C Db IP64 X / Ex h IIIC T135°C Db X
Ta ambient temperature	-40 °C ≤ Ta ≤ +60 °C
I _A /I _N	3,7

DZD 25/4 B Ex t

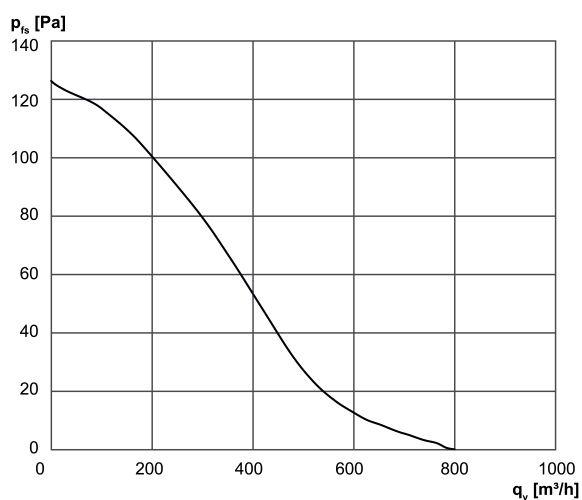
Time t_A	450 sek
Operating mode	S1
PTC DIN 44082	M 100
EC type examination certificate	TÜV-A 19 ATEX0104 X, IECEx EPS 19.0020X
Temperature class	T200°C
Temperature class of insulating materials Th. Cl.	155 (F)
Packing unit	1 piece
Range	G
GTIN (EAN)	4012799878100

Sound power level in octave range

	63 Hz	125 Hz	250 Hz	500 Hz	1 kHz	2 kHz	4 kHz	8 kHz	Total
$L_{WA5, high}$ (dB(A))	-	-	-	-	-	-	-	-	68

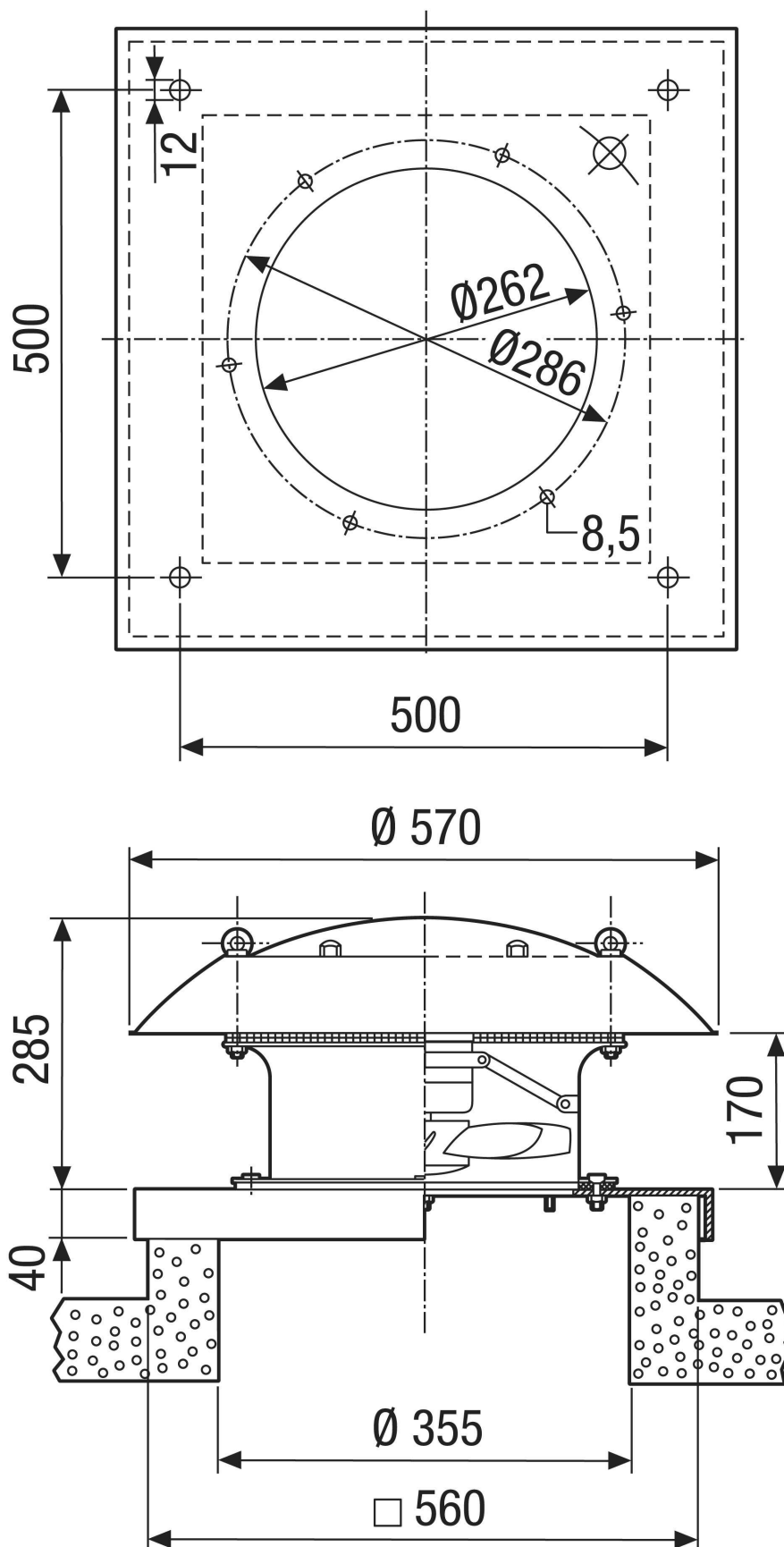
L_{WA5} = free inlet sound power level in dB.

Characteristic curve



DZD 25/4 B Ex t

Dimensioned drawing [mm]



DZD 25/4 B Ex t

