

DZD 30/2 B



Short description

Axial roof fan, horizontal air outlet, DN 300, three-phase AC

Application examples

Production facility, Workplace, Commercial premises, Restaurant, Showroom

Article number 0087.0216

Technical data

Air flow volume	3.100 m ³ /h
Air volume _{nom}	2.040 m ³ /h (in opt. efficiency)
Pressure p _{fs, nom}	135 Pa (in opt. efficiency)
Rotating speed n _{nom}	2.830 1/min (in opt. efficiency)
Rotating speed	2.920 1/min
Impeller type	axial
Speed controllable	✓
Reversing capacity	✓
Type of voltage	Three-phase AC
Rated voltage	400 V
Frequency	50 Hz
Nominal output	380 W (in opt. efficiency)
I _{nom}	0,85 A (in opt. efficiency)
I _{max}	1 A
Degree of protection	IP 55
Insulation class	B
Mains cable	7 x 1,5 mm ²
Installation site	Roof
Installation position	vertical
Material	Sheet steel, galvanised
Colour	Silver
Weight	20,12 kg
Weight including packaging	24,01 kg
Nominal size	300 mm
Width	660 mm
Height	660 mm
Depth	375 mm
Width with packaging	710 mm
Height with packaging	725 mm

DZD 30/2 B

Depth with packaging	420 mm
Airstream temperature at nominal current	-20 °C up to 60 °C
Airstream temperature at I _{Max}	-20 °C up to 60 °C
Packing unit	1 piece
Range	C
GTIN (EAN)	4012799872160

Technical data according to ErP in Best Efficiency Point (BEP)

Total efficiency η	34,3 %
Measurement category	C
Efficiency category	static
Efficiency level N	43,2
Year of manufacture	see rating plate
Manufacturer's name / official registration number / manufacturer's place of establishment	Maico Elektroapparate-Fabrik GmbH / Freiburg registration court, HRB 601233 / Villingen-Schwenningen
Art. No.	0087.0216
P _{BEP} / Air volume _{BEP} / P _{fs, BEP}	0,385 kW / 2.640 m ³ /h / 180 Pa
η_{BEP}	2.830 1/min
Specific ratio	≈ 1
Information about dismantling and disposal	see mounting instructions
Information about installation, operation and repairs	see mounting instructions
Objects used to measure efficiency which are not described by the measurement category	Calculation of energy efficiency without protective grille and roof cowl.
Sound power level _{L_{WA7}}	89 dB(A)

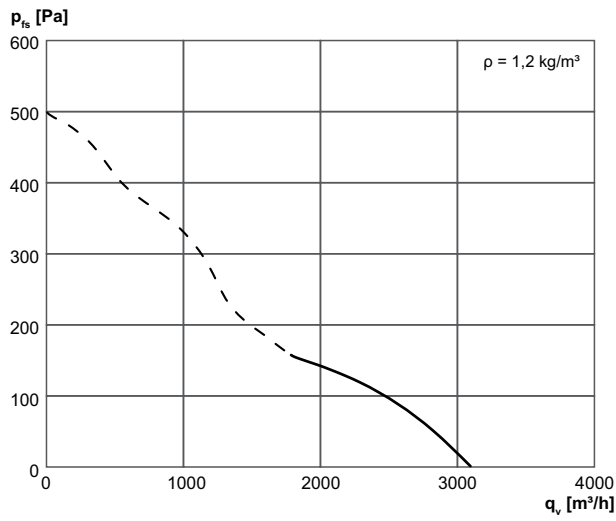
Sound power level in octave range

	63 Hz	125 Hz	250 Hz	500 Hz	1 kHz	2 kHz	4 kHz	8 kHz	Total
L_{WA7, S5} (dB(A))	53	62	81	80	89	87	82	74	89

L_{WA7}= housing and free inlet sound power level in dB.

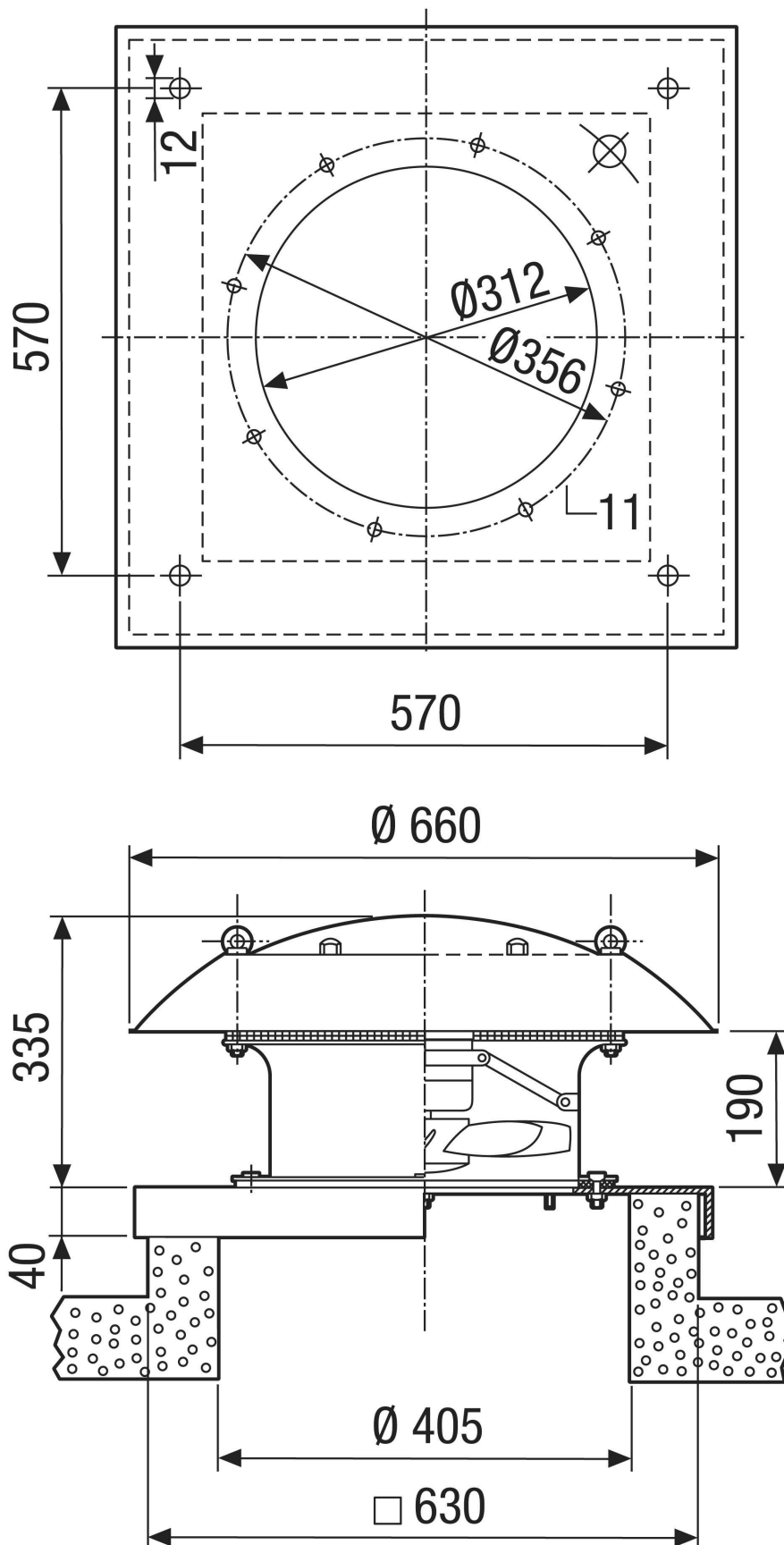
DZD 30/2 B

Characteristic curve



DZD 30/2 B

Dimensioned drawing [mm]



DZD 30/2 B

