

DZD 30/2 B Ex e



Short description

Axial roof fan, horizontal air outlet, DN300, three-phase AC, explosion-proof, medium: gas

Application examples

Environment with explosion hazard (zone 1 and 2), Dye shop, Battery room, Workplace, Storage facility

Article number 0087.0800

Technical data

Air flow volume	2.690 m³/h
Rotating speed	2.880 1/min
Impeller type	axial
Air direction	Ventilation and air extraction
Speed controllable	✓
Reversing capacity	✓
Type of voltage	Three-phase AC
Rated voltage	400 V
Frequency	50 Hz
Nominal output	300 W
cosφ	0,78
I _{nom}	0,53 A
I _{max} at U _{Nominal}	0,87 A
Degree of protection	IP 64
Insulation class	F
Installation site	Roof
Installation position	vertical
Material	Sheet steel, galvanised
Housing material	Sheet steel, galvanised
Colour	galvanised
Weight	20,43 kg
Weight including packaging	24,66 kg
Nominal size	300 mm
Width	660 mm
Height	375 mm
Depth	660 mm
Width with packaging	725 mm
Height with packaging	430 mm
Depth with packaging	725 mm

DZD 30/2 B Ex e

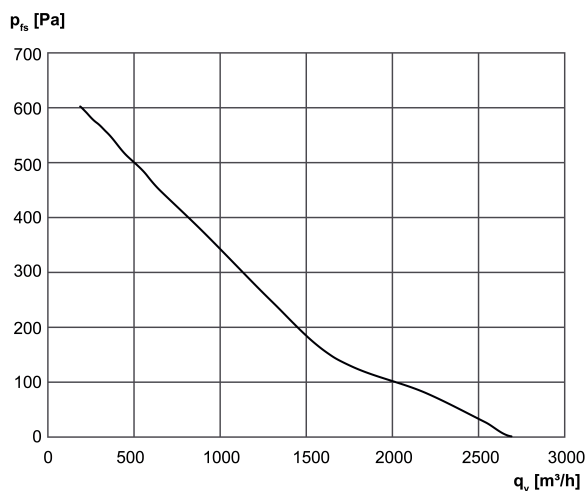
EX designation in accordance with the ATEX Directive	Ex II 2 G
EX designation in accordance with standard	Ex eb IIB + H ₂ T3 Gb / Ex h IIB + H ₂ T3 Gb
Ta ambient temperature	-40 °C ≤ Ta ≤ +60 °C
I _A /I _N	7,4
Time t _A	85 sek
Operating mode	S1
PTC DIN 44082	M 100
EC type examination certificate	TÜV-A 19 ATEX0104 X, IECEx EPS 19.0020X
Temperature class	T3
Temperature class of insulating materials Th. Cl.	155 (F)
Packing unit	1 piece
Range	G
GTIN (EAN)	4012799878001

Sound power level in octave range

	63 Hz	125 Hz	250 Hz	500 Hz	1 kHz	2 kHz	4 kHz	8 kHz	Total
L _{WA5, high} (dB(A))	-	-	-	-	-	-	-	-	91

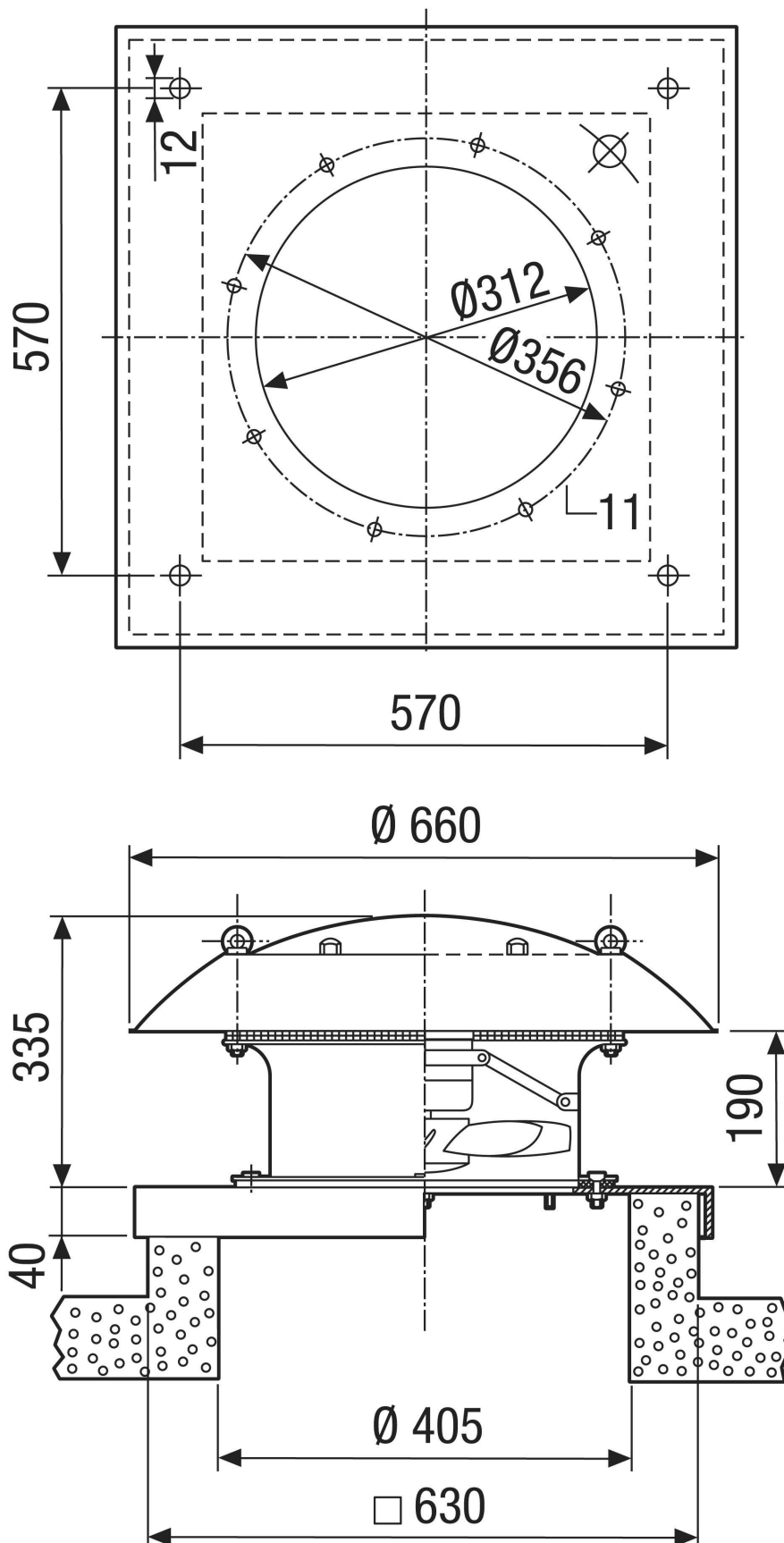
L_{WA5}= free inlet sound power level in dB.

Characteristic curve



DZD 30/2 B Ex e

Dimensioned drawing [mm]



DZD 30/2 B Ex e

