

# DZD 30/4 B



## Short description

Axial roof fan, horizontal air outlet, DN 300, three-phase AC

## Application examples

Production facility, Workplace, Commercial premises, Restaurant, Showroom

Article number 0087.0215

## Technical data

Air flow volume	1.400 m <sup>3</sup> /h
Rotating speed	1.450 1/min
Impeller type	axial
Speed controllable	✓
Reversing capacity	✓
Type of voltage	Three-phase AC
Rated voltage	400 V
Frequency	50 Hz
Nominal output	100 W
I <sub>nom</sub>	0,35 A
I <sub>max</sub>	0,35 A
Degree of protection	IP 55
Insulation class	B
Mains cable	7 x 1,5 mm <sup>2</sup>
Installation site	Roof
Installation position	vertical
Material	Sheet steel, galvanised
Colour	Silver
Weight	16,86 kg
Weight including packaging	20,75 kg
Nominal size	300 mm
Width	660 mm
Height	660 mm
Depth	375 mm
Width with packaging	710 mm
Height with packaging	725 mm
Depth with packaging	420 mm
Airstream temperature at nominal current	-20 °C up to 60 °C
Airstream temperature at I <sub>Max</sub>	-20 °C up to 60 °C

# DZD 30/4 B

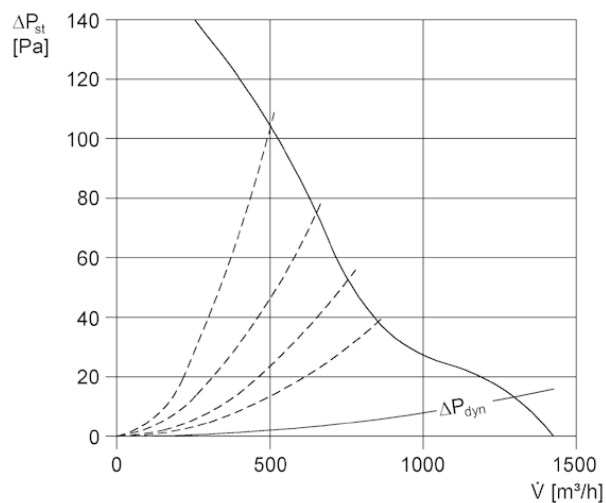
Packing unit	1 piece
Range	C
GTIN (EAN)	4012799872153

## Sound power level in octave range

	63 Hz	125 Hz	250 Hz	500 Hz	1 kHz	2 kHz	4 kHz	8 kHz	Total
<b>L<sub>WA7, S5</sub></b> <b>(dB(A))</b>	42	59	62	68	69	68	63	54	70

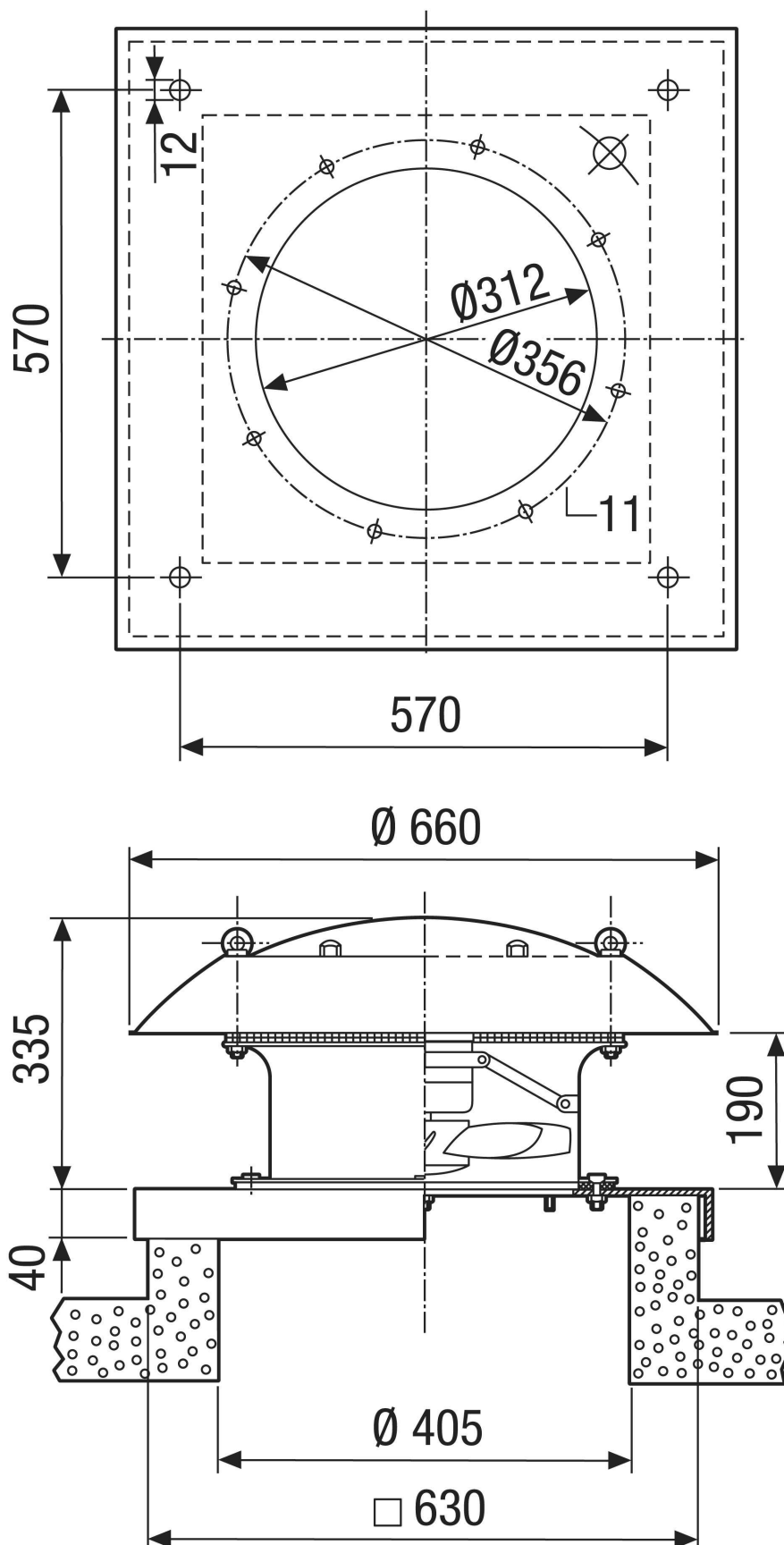
L<sub>WA7</sub>= housing and free inlet sound power level in dB.

## Characteristic curve



# DZD 30/4 B

Dimensioned drawing [mm]



DZD 30/4 B

