

# DZD 35/2 B Ex t



## Short description

Axial roof fan, horizontal air outlet, DN355, three-phase AC, explosion-proof, medium: dust

Article number 0087.0817

## Technical data

Air flow volume	4.280 m <sup>3</sup> /h
Rotating speed	2.880 1/min
Air direction	Ventilation and air extraction
Speed controllable	–
Reversing capacity	✓
Type of voltage	Three-phase AC
Rated voltage	400 V
Frequency	50 Hz
Nominal output	620 W
cosφ	0,67
I <sub>nom</sub>	1,3 A
I <sub>max</sub> at U <sub>Nominal</sub>	1,91 A
Degree of protection	IP 64
Insulation class	F
Material	Sheet steel, galvanised
Colour	galvanised
Weight	24,1 kg
Weight including packaging	28,8 kg
Nominal size	355 mm
Width	720 mm
Height	380 mm
Depth	720 mm
Width with packaging	790 mm
Height with packaging	435 mm
Depth with packaging	790 mm
EX designation in accordance with the ATEX Directive	Ex II 2 D
EX designation in accordance with standard	Ex tb IIIC T200°C Db IP64 X / Ex h IIIC T200°C Db X
Ta ambient temperature	-40 °C ≤ Ta ≤ +60 °C
I <sub>A</sub> /I <sub>N</sub>	6,9

# DZD 35/2 B Ex t

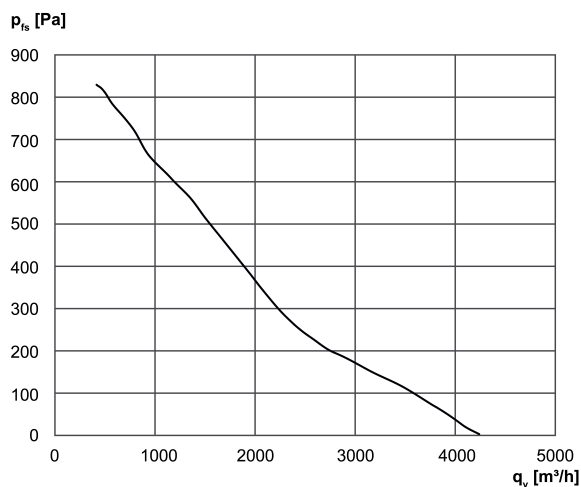
Time $t_A$	35 sek
Operating mode	S1
PTC DIN 44082	M 100
EC type examination certificate	TÜV-A 19 ATEX0104 X, IECEx EPS 19.0020X
Temperature class	T200°C
Temperature class of insulating materials Th. Cl.	155 (F)
Packing unit	1 piece
Range	G
GTIN (EAN)	4012799878179

## Sound power level in octave range

	63 Hz	125 Hz	250 Hz	500 Hz	1 kHz	2 kHz	4 kHz	8 kHz	Total
<b><math>L_{WA5, high}</math> (dB(A))</b>	-	-	-	-	-	-	-	-	97

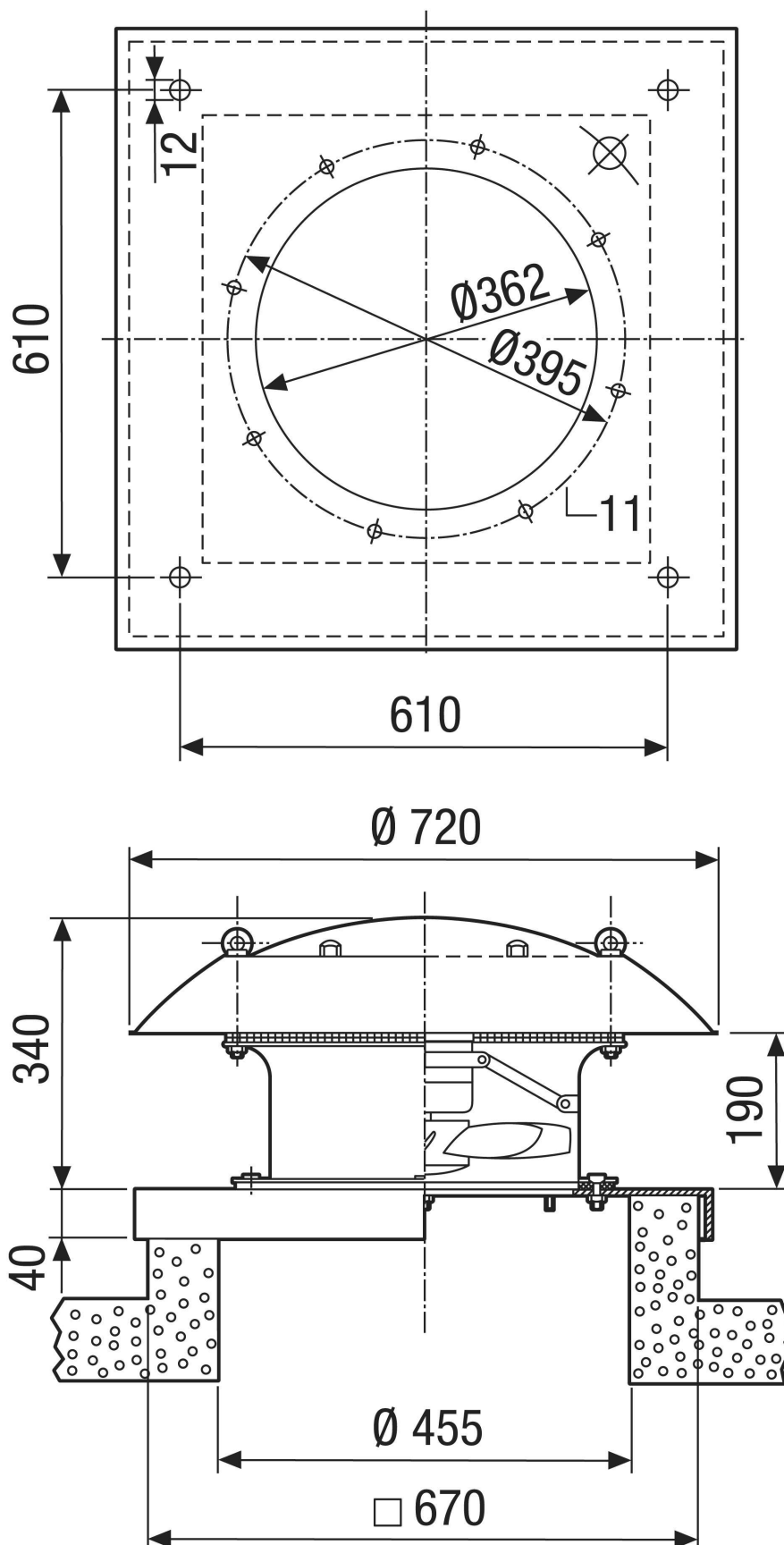
$L_{WA5}$ = free inlet sound power level in dB.

## Characteristic curve



# DZD 35/2 B Ex t

Dimensioned drawing [mm]



DZD 35/2 B Ex t

