

DZD 50/4 B



Short description

Axial roof fan, horizontal air outlet, DN 500, three-phase AC

Application examples

Production facility, Workplace, Commercial premises, Restaurant, Showroom

Article number 0087.0226

Technical data

Air flow volume	6.170 m ³ /h
Air volume _{nom}	3.600 m ³ /h (in opt. efficiency)
Pressure p _{fs, nom}	140 Pa (in opt. efficiency)
Rotating speed n _{nom}	1.400 1/min (in opt. efficiency)
Rotating speed	1.405 1/min
Impeller type	axial
Speed controllable	✓
Reversing capacity	✓
Type of voltage	Three-phase AC
Rated voltage	400 V
Frequency	50 Hz
Nominal output	665 W (in opt. efficiency)
I _{nom}	1,2 A (in opt. efficiency)
I _{max}	1,4 A
Degree of protection	IP 55
Insulation class	F
Mains cable	7 x 1,5 mm ²
Installation site	Roof
Installation position	vertical
Material	Sheet steel, galvanised
Colour	Silver
Weight	38,5 kg
Weight including packaging	45,5 kg
Nominal size	500 mm
Width	940 mm
Height	940 mm
Depth	420 mm
Width with packaging	941 mm
Height with packaging	941 mm

DZD 50/4 B

Depth with packaging	510 mm
Airstream temperature at nominal current	-20 °C up to 60 °C
Airstream temperature at I _{Max}	-20 °C up to 60 °C
Packing unit	1 piece
Range	C
GTIN (EAN)	4012799872269

Technical data according to ErP in Best Efficiency Point (BEP)

Total efficiency η	36,7 %
Measurement category	C
Efficiency category	static
Efficiency level N	44,2
Year of manufacture	see rating plate
Manufacturer's name / official registration number / manufacturer's place of establishment	Maico Elektroapparate-Fabrik GmbH / Freiburg registration court, HRB 601233 / Villingen-Schwenningen
Art. No.	0087.0226
P _{BEP} / Air volume _{BEP} / P _{fs, BEP}	0,645 kW / 6.550 m ³ /h / 130 Pa
η_{BEP}	1.400 1/min
Specific ratio	≈ 1
Information about dismantling and disposal	see mounting instructions
Information about installation, operation and repairs	see mounting instructions
Objects used to measure efficiency which are not described by the measurement category	Calculation of energy efficiency without protective grille and roof cowl.
Sound power level _{L_{WA7}}	91 dB(A)

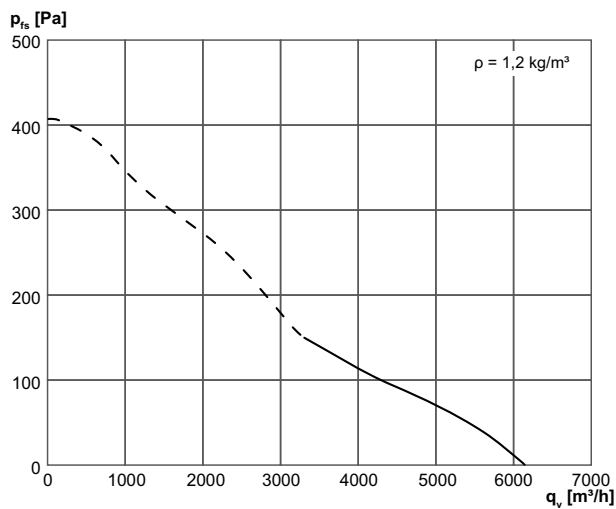
Sound power level in octave range

	63 Hz	125 Hz	250 Hz	500 Hz	1 kHz	2 kHz	4 kHz	8 kHz	Total
L_{WA7, high} (dB(A))	-	-	-	-	-	-	-	-	91

L_{WA7}= housing and free inlet sound power level in dB.

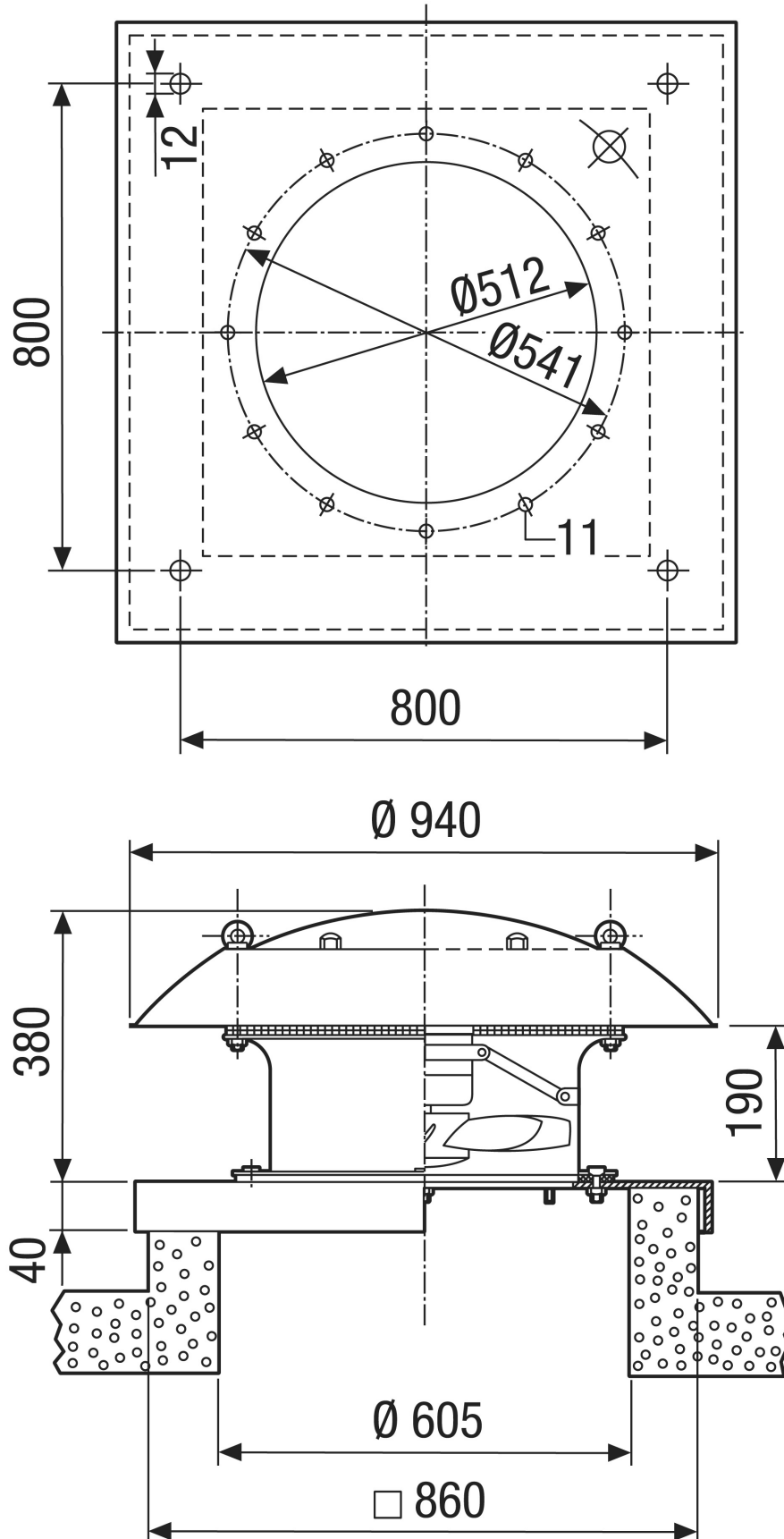
DZD 50/4 B

Characteristic curve



DZD 50/4 B

Dimensioned drawing [mm]



DZD 50/4 B

