

DZD 50/6 B Ex t



Short description

Axial roof fan, horizontal air outlet, DN500, three-phase AC, explosion-proof, medium: dust

Article number 0087.0820

Technical data

Air flow volume	3.870 m ³ /h
Rotating speed	950 1/min
Air direction	Ventilation and air extraction
Speed controllable	✓
Reversing capacity	✓
Type of voltage	Three-phase AC
Rated voltage	400 V
Frequency	50 Hz
Nominal output	180 W
cosφ	0,45
I _{nom}	0,58 A
I _{max} at U _{Nominal}	0,65 A
Degree of protection	IP 64
Insulation class	F
Material	Sheet steel, galvanised
Colour	galvanised
Weight	33 kg
Weight including packaging	40 kg
Nominal size	500 mm
Width	940 mm
Height	420 mm
Depth	940 mm
Width with packaging	940 mm
Height with packaging	510 mm
Depth with packaging	940 mm
EX designation in accordance with the ATEX Directive	Ex II 2 D
EX designation in accordance with standard	Ex tb IIIC T135°C Db IP64 X / Ex h IIIC T135°C Db X
Ta ambient temperature	-40 °C ≤ Ta ≤ +40 °C
I _A /I _N	3

DZD 50/6 B Ex t

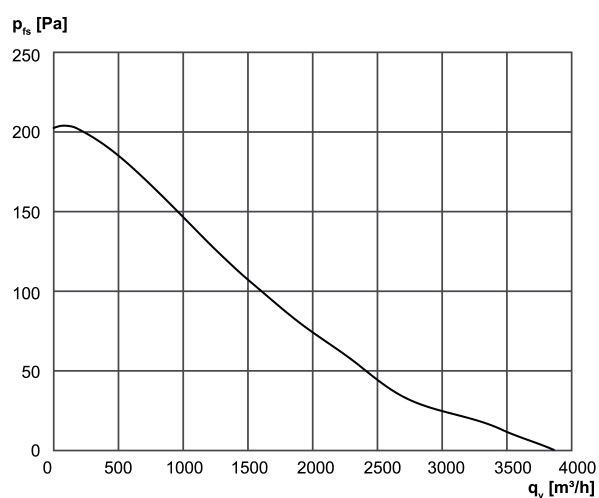
Time t_A	240 sek
Operating mode	S1
PTC DIN 44082	M 100
EC type examination certificate	TÜV-A 19 ATEX0104 X, IECEx EPS 19.0020X
Temperature class	T135°C
Temperature class of insulating materials Th. Cl.	155 (F)
Packing unit	1 piece
Range	G
GTIN (EAN)	4012799878209

Sound power level in octave range

	63 Hz	125 Hz	250 Hz	500 Hz	1 kHz	2 kHz	4 kHz	8 kHz	Total
L_{WA5, high} (dB(A))	-	-	-	-	-	-	-	-	77

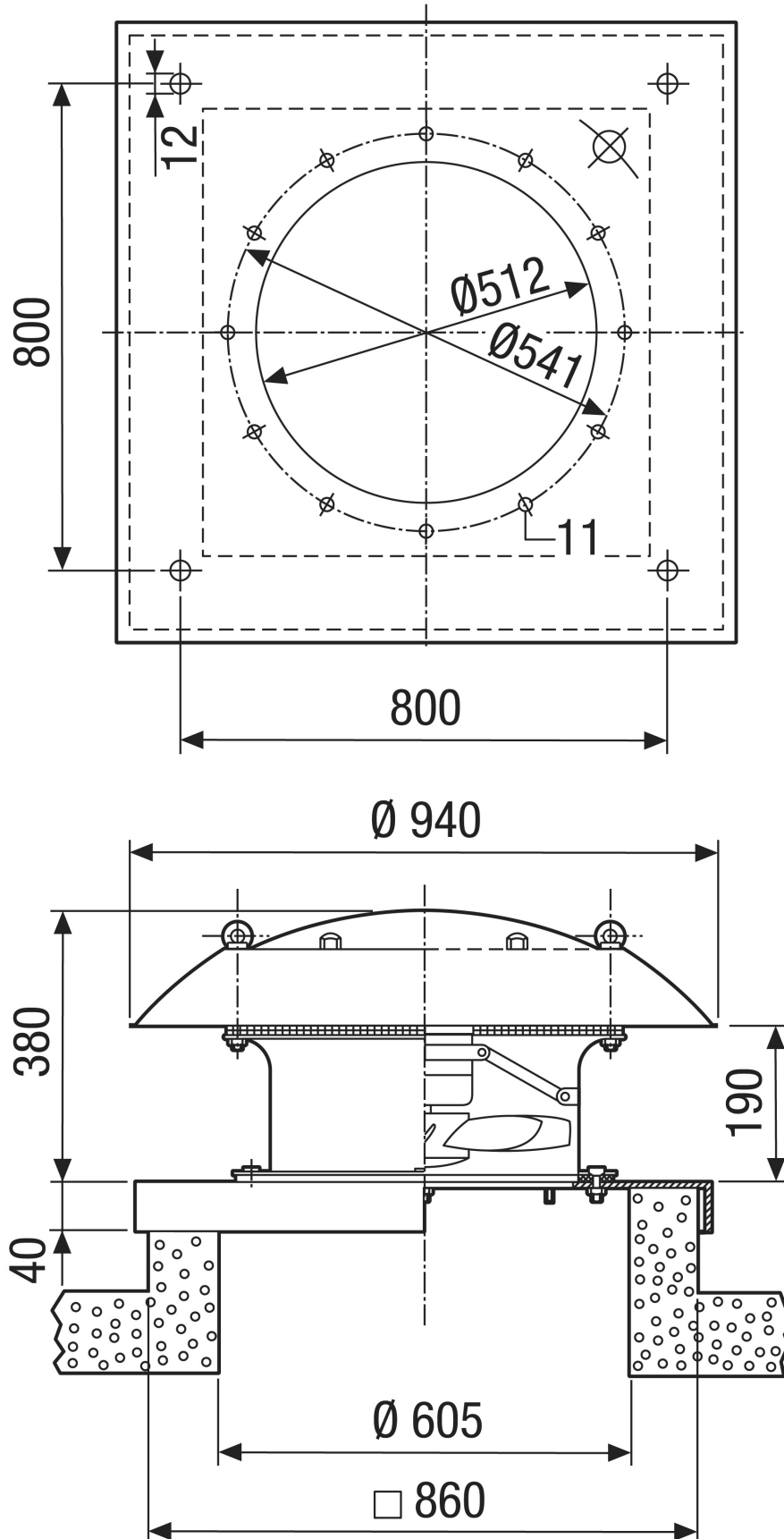
L_{WA5}= free inlet sound power level in dB.

Characteristic curve



DZD 50/6 B Ex t

Dimensioned drawing [mm]



DZD 50/6 B Ex t

