

# DZL 30/42 B



## Short description

Axial duct fan, DN 300, three-phase AC

## Application examples

Machine extraction unit, Workplace air extraction system, Workshop, Foreman's office, Production site

Article number 0086.0094

## Technical data

Model	Stabiliser
Air flow volume	1.830 m <sup>3</sup> /h / 3.650 m <sup>3</sup> /h
Speed controllable	✓
Reversing capacity	–
Type of voltage	Three-phase AC
Rated voltage	400 V
Frequency	50 Hz
Degree of protection	IP 55
Insulation class	B
Pole-changeable	✓
Mains cable	7 x 1,5 mm <sup>2</sup>
Installation position	vertical / horizontal
Material	Sheet steel, galvanised
Weight	12,3 kg
Weight including packaging	13,16 kg
Nominal size	300 mm
Width with packaging	420 mm
Height with packaging	430 mm
Depth with packaging	330 mm
Airstream temperature at nominal current	60 °C
Airstream temperature at I <sub>Max</sub>	-20 °C up to 60 °C
Packing unit	1 piece
Range	C
GTIN (EAN)	4012799860945

## Technical data according to ErP in Best Efficiency Point (BEP)

Total efficiency $\eta$	42 %
Measurement category	D

# DZL 30/42 B

Efficiency category	total
Efficiency level N	50,8
VSD necessary	No
Year of manufacture	see rating plate
Manufacturer's name / official registration number / manufacturer's place of establishment	Maico Elektroapparate-Fabrik GmbH / Freiburg registration court, HRB 601233 / Villingen-Schwenningen
Art. No.	0086.0094
$P_{BEP}$ / Air volume $_{BEP}$ / $P_{fs, BEP}$	0,065 kW / 0,41 kW / 1.200 m <sup>3</sup> /h / 2.480 m <sup>3</sup> /h / 62 Pa / 250 Pa
$n_{BEP}$	1.460 1/min / 2.830 1/min
Specific ratio	≈ 1
Information about dismantling and disposal	see mounting instructions
Information about installation, operation and repairs	see mounting instructions
Objects used to measure efficiency which are not described by the measurement category	-
$I_{BEP}$	0,3 A / 1 A
Sound power level $_{L_{WA5}}$	66 dB(A) / 82 dB(A)

## Sound power level in octave range

	63 Hz	125 Hz	250 Hz	500 Hz	1 kHz	2 kHz	4 kHz	8 kHz	Total
$L_{WA2, low}$ (dB(A))	22	38	47	57	52	52	47	37	60
$L_{WA2, high}$ (dB(A))	35	48	59	67	73	70	66	58	76
$L_{WA5, low}$ (dB(A))	25	39	59	66	61	63	57	45	69
$L_{WA5, high}$ (dB(A))	37	50	78	76	86	84	75	69	89
$L_{WA8, low}$ (dB(A))	36	46	58	71	68	68	67	63	75
$L_{WA8, high}$ (dB(A))	60	61	72	84	89	88	83	79	93
$L_{WA5, S2}$ (dB(A))	-	-	-	-	-	-	-	-	-

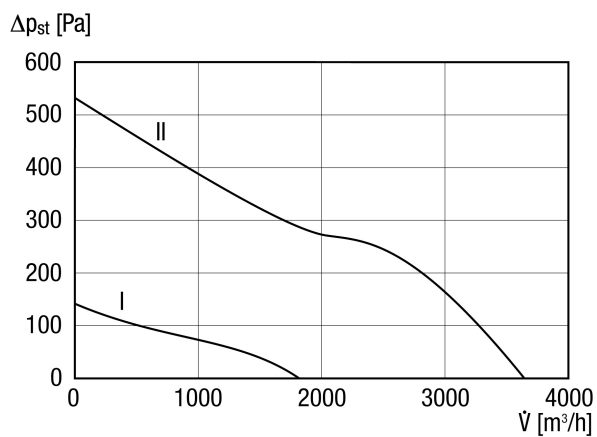
$L_{WA2}$ = housing sound power level in dB.

$L_{WA5}$ = free inlet sound power level in dB.

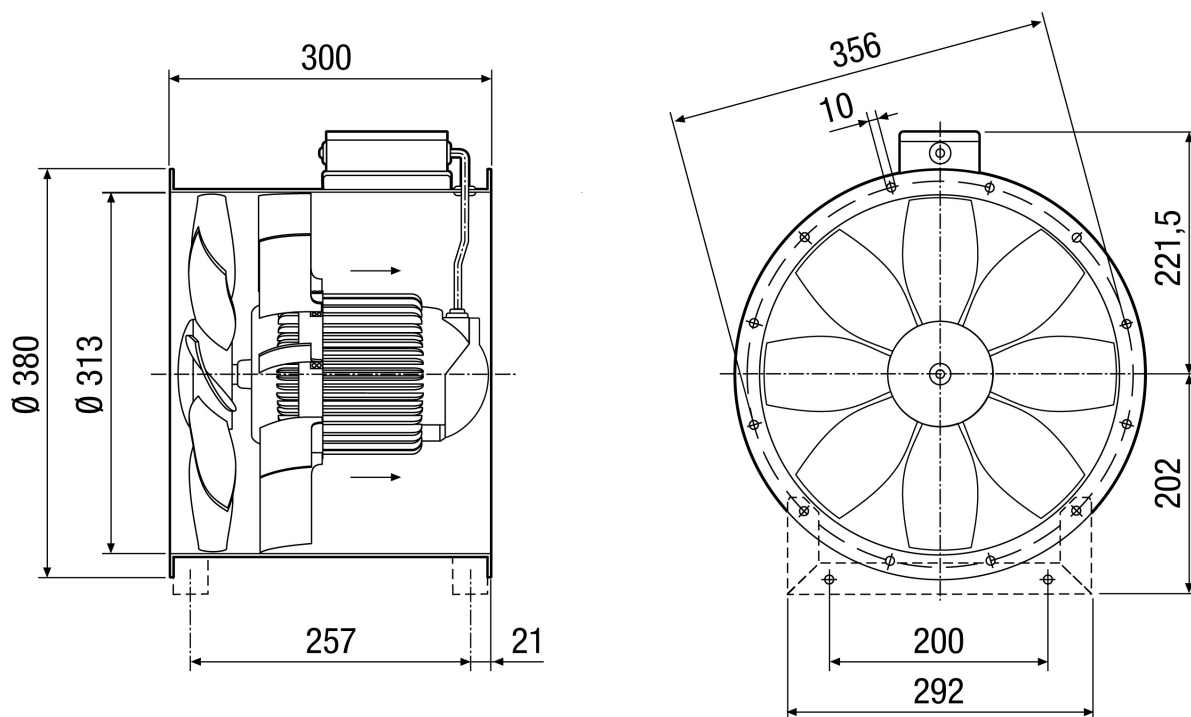
$L_{WA8}$ = housing and free outlet sound power level in dB.

# DZL 30/42 B

## Characteristic curve



## Dimensioned drawing [mm]



Number of flange holes: 8