

DZL 45/6 B



Short description

Axial duct fan, DN 450, three-phase AC

Application examples

Machine extraction unit, Showroom, Foreman's office, Workshop, Production site

Article number 0086.0085

Technical data

Model	Stabiliser
Air flow volume	4.370 m ³ /h
Impeller type	axial
Speed controllable	✓
Reversing capacity	–
Type of voltage	Three-phase AC
Rated voltage	400 V
Frequency	50 Hz
I _{max}	0,8 A
Degree of protection	IP 55
Mains cable	7 / 1,5 mm ²
Installation position	vertical / horizontal
Material	Sheet steel, galvanised
Weight	20,6 kg
Nominal size	450 mm
Width	512 mm
Height	512 mm
Depth	310 mm
Airstream temperature at nominal current	60 °C
Airstream temperature at I _{Max}	-20 °C up to 60 °C
Packing unit	1 piece
Range	C
GTIN (EAN)	4012799860853

Technical data according to ErP in Best Efficiency Point (BEP)

Total efficiency η	42 %
Measurement category	D
Efficiency category	total

DZL 45/6 B

Efficiency level N	52,8
VSD necessary	No
Year of manufacture	see rating plate
Manufacturer's name / official registration number / manufacturer's place of establishment	Maico Elektroapparate-Fabrik GmbH / Freiburg registration court, HRB 601233 / Villingen-Schwenningen
Art. No.	0086.0085
P_{BEP} / Air volume $_{BEP}$ / $P_{fs, BEP}$	0,16 kW / 2.970 m ³ /h / 80 Pa
η_{BEP}	986 1/min
Specific ratio	≈ 1
Information about dismantling and disposal	see mounting instructions
Objects used to measure efficiency which are not described by the measurement category	-
I_{BEP}	0,55 A
Sound power level L_{WA5}	69 dB(A)

Sound power level in octave range

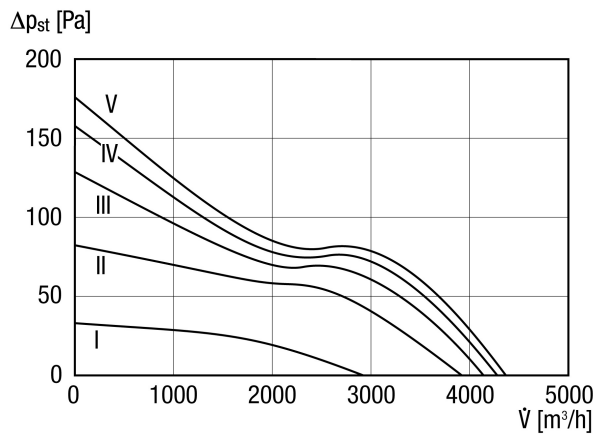
	63 Hz	125 Hz	250 Hz	500 Hz	1 kHz	2 kHz	4 kHz	8 kHz	Total
$L_{WA2, S1}$ (dB(A))	26	29	37	36	35	29	23	15	41
$L_{WA2, S2}$ (dB(A))	29	44	43	47	45	39	33	21	51
$L_{WA2, S3}$ (dB(A))	28	46	46	56	52	46	40	26	57
$L_{WA2, S4}$ (dB(A))	30	47	46	58	53	48	42	28	60
$L_{WA2, S5}$ (dB(A))	31	48	46	59	54	50	44	29	61
$L_{WA5, S1}$ (dB(A))	32	35	55	45	46	43	33	19	56
$L_{WA5, S2}$ (dB(A))	28	51	61	57	57	55	46	33	64
$L_{WA5, S3}$ (dB(A))	30	48	60	62	62	60	51	39	67
$L_{WA5, S4}$ (dB(A))	30	51	59	68	64	62	53	42	70
$L_{WA5, S5}$ (dB(A))	31	53	59	68	65	63	55	43	71
$L_{WA6, S1}$ (dB(A))	37	39	47	52	52	50	49	47	58
$L_{WA6, S2}$ (dB(A))	42	54	59	63	67	67	68	66	39
$L_{WA6, S3}$ (dB(A))	47	56	63	67	70	70	71	68	77

DZL 45/6 B

	63 Hz	125 Hz	250 Hz	500 Hz	1 kHz	2 kHz	4 kHz	8 kHz	Total
L_{WA6, S4} (dB(A))	50	59	62	72	72	71	71	69	78
L_{WA6, S5} (dB(A))	47	58	62	74	73	72	73	70	80

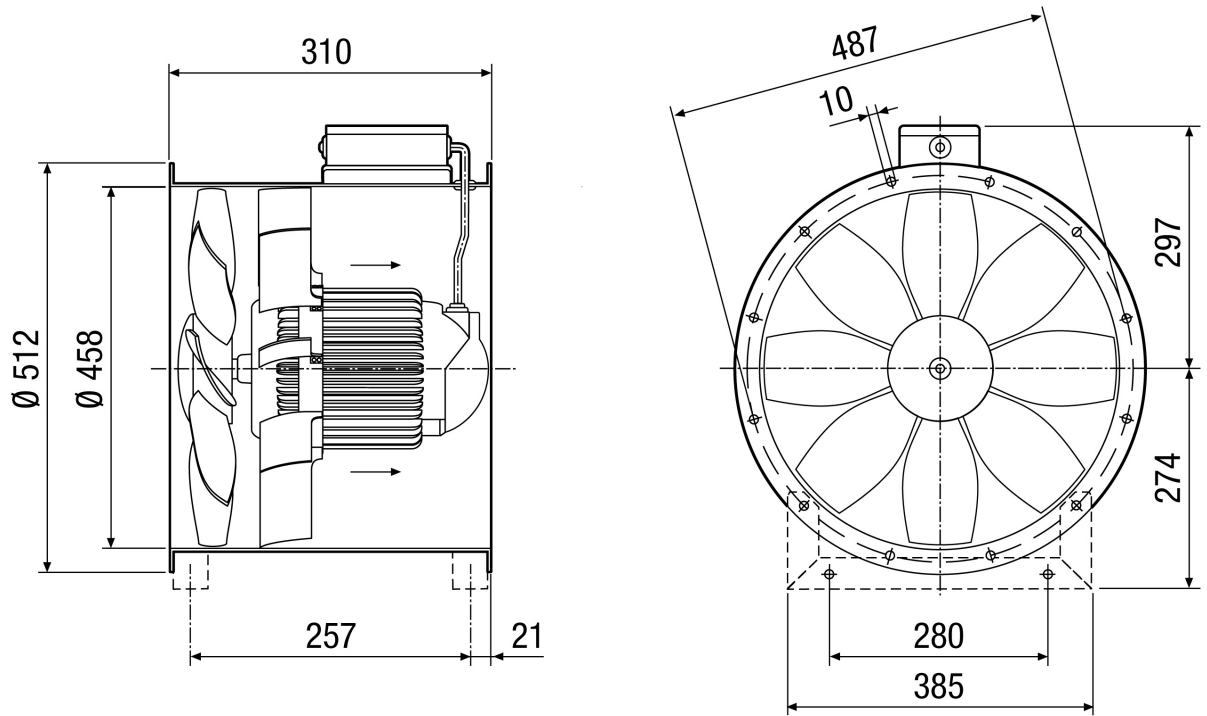
L_{WA2}= housing sound power level in dB.
 L_{WA5}= free inlet sound power level in dB.
 L_{WA6}= free outlet sound power level in dB.

Characteristic curve



DZL 45/6 B

Dimensioned drawing [mm]



Number of flange holes: 12