

DZR 25/4 D



Short description

Axial duct fan, DN 250, three-phase AC

Application examples

Machine extraction unit, Showroom, Foreman's office, Workshop, Production site

Article number 0086.0490

Technical data

Air flow volume	1.100 m ³ /h
Rotating speed	1.425 1/min
Impeller type	axial
Speed controllable	✓
Reversing capacity	✓
Type of voltage	Three-phase AC
Rated voltage	400 V
Frequency	50 Hz
Nominal output	50 W
I _{nom}	0,15 A
I _{max}	0,16 A
Degree of protection	IP 54
Insulation class	B
Pole-changeable	–
Mains cable	5 x 1,5 mm ²
Installation position	horizontal / vertical
Material	Sheet steel, galvanised
Colour	Silver
Weight	5,74 kg
Weight including packaging	6,58 kg
Nominal size	250 mm
Width	304 mm
Height	372 mm
Depth	300 mm
Width with packaging	420 mm
Height with packaging	430 mm
Depth with packaging	330 mm
Airstream temperature at nominal current	-20 °C up to 40 °C
Airstream temperature at I _{Max}	-20 °C up to 40 °C

DZR 25/4 D

Packing unit	1 piece
Range	C
GTIN (EAN)	4012799864905

Sound power level in octave range

	63 Hz	125 Hz	250 Hz	500 Hz	1 kHz	2 kHz	4 kHz	8 kHz	Total
L_{WA2}, S1 (dB(A))	14	25	24	28	27	21	12	3	33
L_{WA2}, S2 (dB(A))	13	32	29	37	37	33	27	13	42
L_{WA2}, S3 (dB(A))	15	34	34	41	43	38	33	21	46
L_{WA2}, S4 (dB(A))	17	39	38	44	44	42	37	26	49
L_{WA2}, S5 (dB(A))	19	34	41	48	47	44	40	29	52
L_{WA5}, S1 (dB(A))	13	30	39	33	38	33	21	6	43
L_{WA5}, S2 (dB(A))	19	34	45	43	48	46	37	21	52
L_{WA5}, S3 (dB(A))	21	37	50	47	52	51	43	29	56
L_{WA5}, S4 (dB(A))	23	38	49	51	54	54	47	33	59
L_{WA5}, S5 (dB(A))	24	35	52	53	56	56	50	35	61
L_{WA6}, S1 (dB(A))	19	33	36	38	39	37	25	9	44
L_{WA6}, S2 (dB(A))	22	40	45	49	50	50	41	27	55
L_{WA6}, S3 (dB(A))	25	41	49	53	55	55	47	34	60
L_{WA6}, S4 (dB(A))	27	42	51	56	58	58	51	42	63
L_{WA6}, S5 (dB(A))	28	41	53	58	60	60	54	44	65

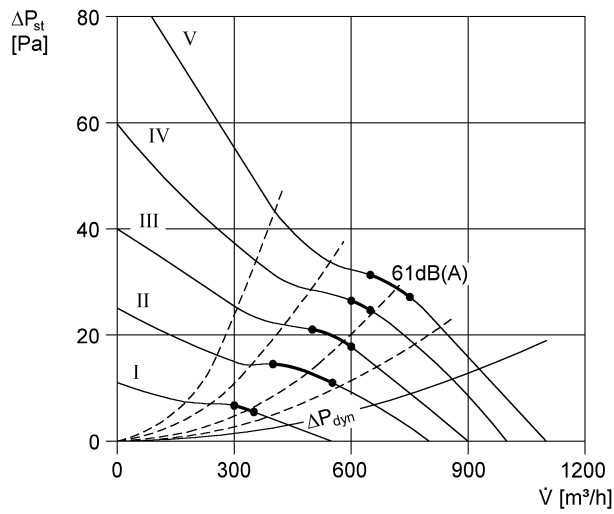
L_{WA2}= housing sound power level in dB.

L_{WA5}= free inlet sound power level in dB.

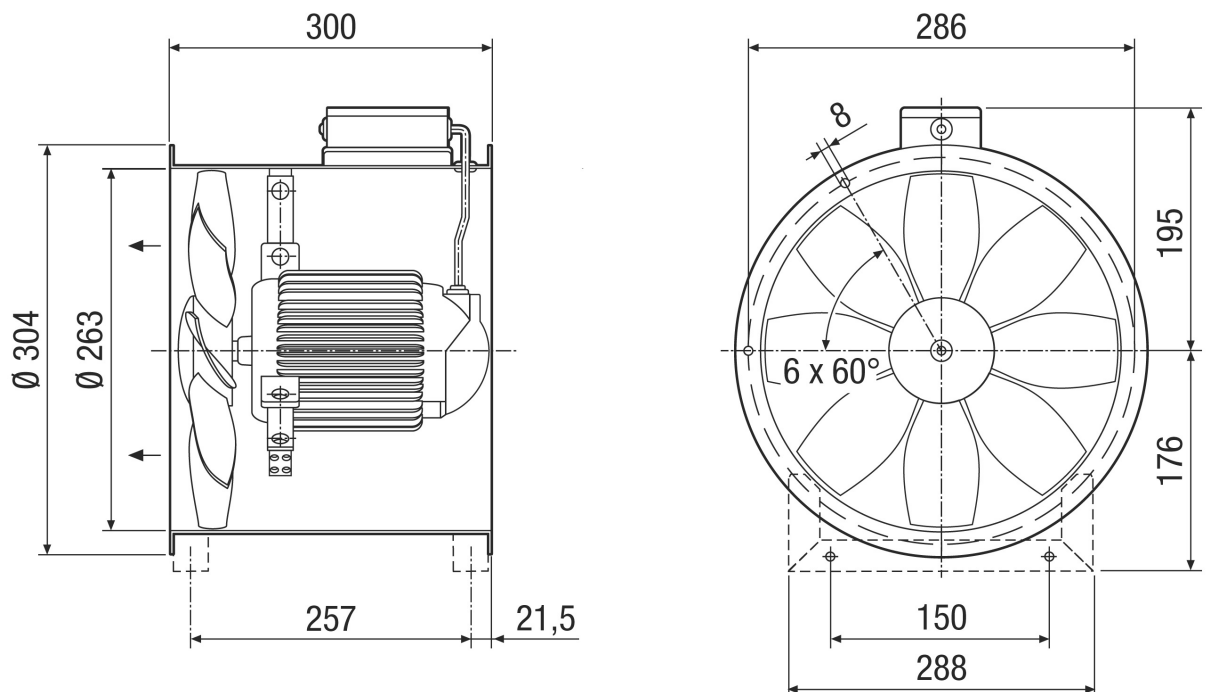
L_{WA6}= free outlet sound power level in dB.

DZR 25/4 D

Characteristic curve



Dimensioned drawing [mm]



Number of flange holes: 6