

DZR 30/84 B



Short description

Axial duct fan, DN 300, three-phase AC, pole-changeable

Application examples

Machine extraction unit, Showroom, Foreman's office, Workshop, Production site

Article number 0086.0042

Technical data

Air flow volume	900 m ³ /h / 1.800 m ³ /h
Rotating speed	715 1/min / 1.425 1/min
Impeller type	axial
Speed controllable	✓
Reversing capacity	✓
Type of voltage	Three-phase AC
Rated voltage	400 V
Frequency	50 Hz
Nominal output	40 W / 100 W
I _{nom}	0,1 A / 0,3 A
I _{max}	0,1 A / 0,3 A
Degree of protection	IP 55
Insulation class	B
Pole-changeable	✓
Number of poles at high speed	4
Number of poles at low speed	8
Mains cable	5 x 1,5 mm ²
Installation position	horizontal / vertical
Material	Sheet steel, galvanised
Colour	Silver
Weight	8,35 kg
Weight including packaging	9,16 kg
Nominal size	300 mm
Width	380 mm
Height	424 mm
Depth	300 mm
Width with packaging	420 mm
Height with packaging	435 mm
Depth with packaging	330 mm

DZR 30/84 B

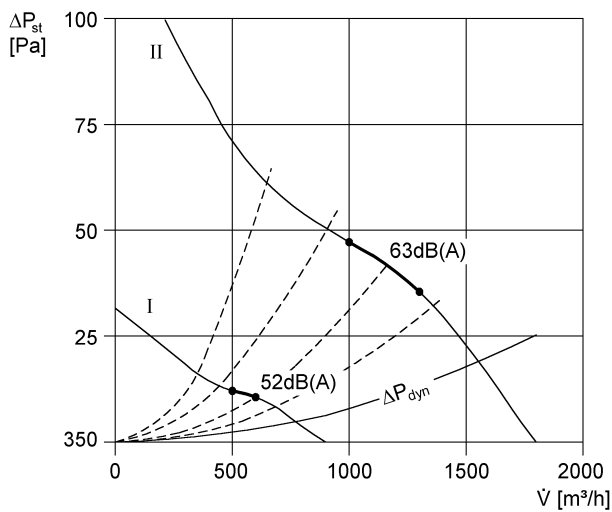
Airstream temperature at nominal current	60 °C
Airstream temperature at I_{Max}	-20 °C up to 60 °C
Packing unit	1 piece
Range	C
GTIN (EAN)	4012799860426

Sound power level in octave range

	63 Hz	125 Hz	250 Hz	500 Hz	1 kHz	2 kHz	4 kHz	8 kHz	Total
L_{WA2, low} (dB(A))	17	38	34	31	33	31	25	22	41
L_{WA2, high} (dB(A))	23	39	48	52	50	51	46	35	57
L_{WA5, low} (dB(A))	20	44	55	41	40	40	30	23	56
L_{WA5, high} (dB(A))	27	42	60	63	59	61	56	44	67
L_{WA8, low} (dB(A))	25	41	44	47	45	45	34	23	52
L_{WA8, high} (dB(A))	42	49	60	69	69	69	69	66	76

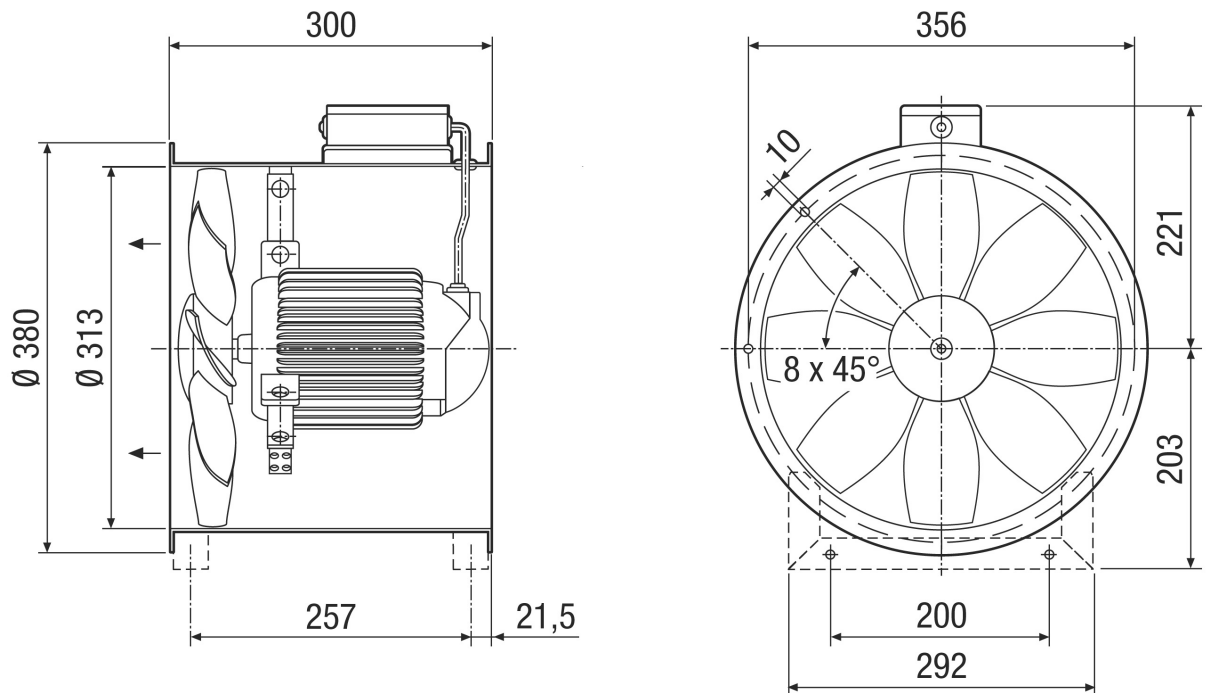
L_{WA2}= housing sound power level in dB.
 L_{WA5}= free inlet sound power level in dB.
 L_{WA8}= housing and free outlet sound power level in dB.

Characteristic curve



DZR 30/84 B

Dimensioned drawing [mm]



Number of flange holes: 8