

DZR 40/4 B Ex t



Short description

Axial duct fan, DN400, three-phase AC, explosion-proof, medium: dust

Article number 0086.0730

Technical data

Air flow volume	4.200 m ³ /h
Rotating speed	1.465 1/min
Speed controllable	✓
Reversing capacity	✓
Type of voltage	Three-phase AC
Rated voltage	400 V
Frequency	50 Hz
Nominal output	170 W
cosφ	0,45
I _{nom}	0,55 A
I _{max} at U _{Nominal}	0,74 A
Degree of protection	IP 64
Insulation class	F
Material	Sheet steel, galvanised
Colour	galvanised
Weight	14,6 kg
Weight including packaging	16,59 kg
Nominal size	400 mm
Width	523 mm
Height	523 mm
Depth	370 mm
Width with packaging	495 mm
Height with packaging	520 mm
Depth with packaging	395 mm
EX designation in accordance with the ATEX Directive	Ex II 2 D
EX designation in accordance with standard	Ex tb IIIC T135°C Db IP64 X / Ex h IIIC T135°C Db X
Ta ambient temperature	-40 °C ≤ Ta ≤ +40 °C
Time t _A	110 sek
Operating mode	S1

DZR 40/4 B Ex t

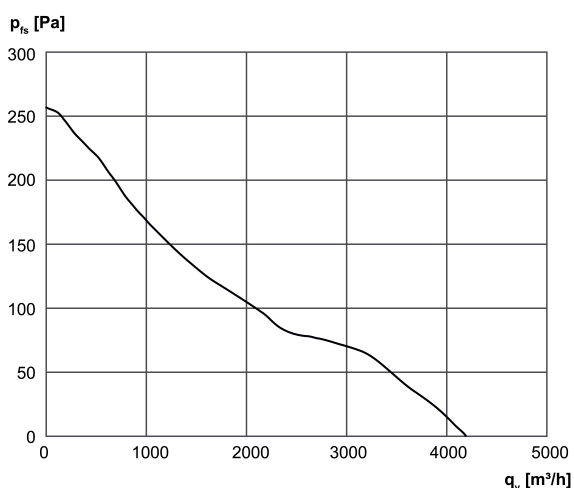
PTC DIN 44082	M 100
EC type examination certificate	TÜV-A 19 ATEX0103 X, IECEx EPS 19.0019X
Temperature class	T135°C
Temperature class of insulating materials Th. Cl.	155 (F)
Packing unit	1 piece
Range	G
GTIN (EAN)	4012799867302

Sound power level in octave range

	63 Hz	125 Hz	250 Hz	500 Hz	1 kHz	2 kHz	4 kHz	8 kHz	Total
L_{WA5}, high (dB)	-	-	-	-	-	-	-	-	78

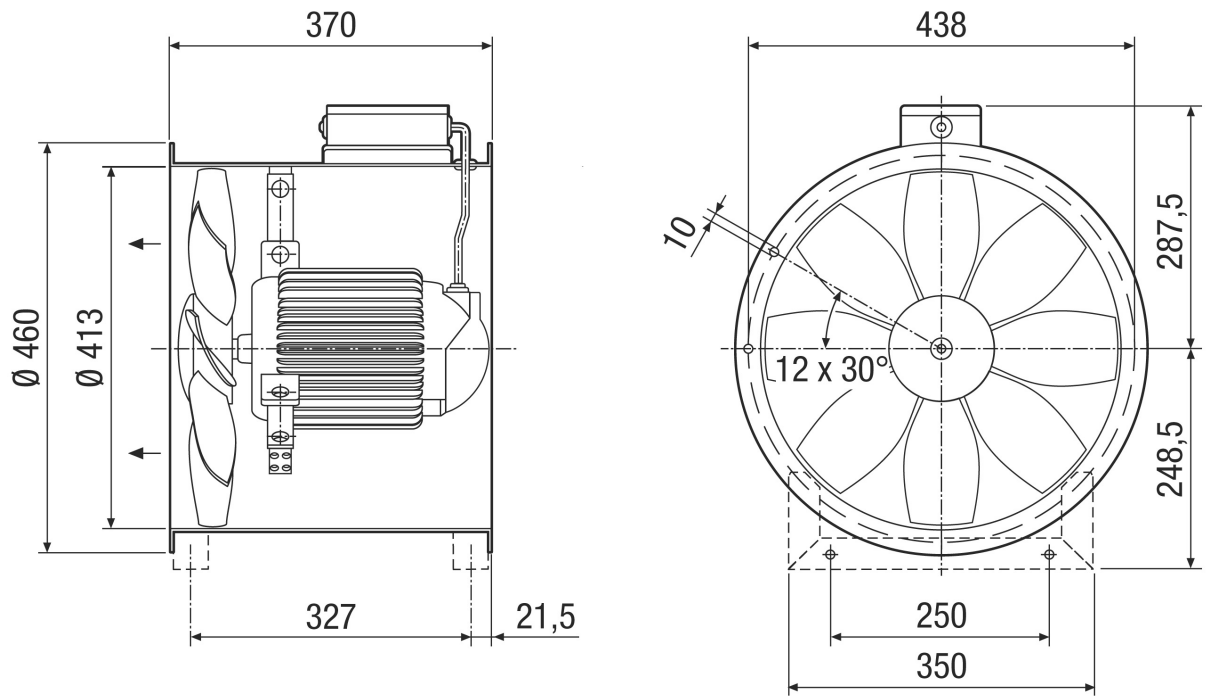
L_{WA5}= free inlet sound power level in dB.

Characteristic curve



DZR 40/4 B Ex t

Dimensioned drawing [mm]



Number of flange holes: 12