

DZR 45/6 B



Short description

Axial duct fan, DN 450, three-phase AC

Application examples

Machine extraction unit, Showroom, Foreman's office, Workshop, Production site

Article number 0086.0032

Technical data

Air flow volume	4.460 m ³ /h
Air volume _{nom}	3.350 m ³ /h (in opt. efficiency)
Pressure p _{fs, nom}	60 Pa (in opt. efficiency)
Rotating speed n _{nom}	985 1/min (in opt. efficiency)
Rotating speed	990 1/min
Impeller type	axial
Speed controllable	✓
Reversing capacity	✓
Type of voltage	Three-phase AC
Rated voltage	400 V
Frequency	50 Hz
Nominal output	160 W (in opt. efficiency)
I _{nom}	0,55 A (in opt. efficiency)
I _{max}	0,6 A
Degree of protection	IP 55
Insulation class	B
Pole-changeable	–
Mains cable	7 x 1,5 mm ²
Installation position	horizontal / vertical
Material	Sheet steel, galvanised
Colour	Silver
Weight	19,61 kg
Weight including packaging	21,31 kg
Nominal size	450 mm
Width	510 mm
Height	571 mm
Depth	310 mm
Width with packaging	575 mm
Height with packaging	585 mm

DZR 45/6 B

Depth with packaging	335 mm
Airstream temperature at nominal current	60 °C
Airstream temperature at I _{Max}	60 °C
Packing unit	1 piece
Range	C
GTIN (EAN)	4012799860327

Technical data according to ErP in Best Efficiency Point (BEP)

Total efficiency η	47,4 %
Measurement category	D
Efficiency category	total
Efficiency level N	58,9
VSD necessary	No
Year of manufacture	see rating plate
Manufacturer's name / official registration number / manufacturer's place of establishment	Maico Elektroapparate-Fabrik GmbH / Freiburg registration court, HRB 601233 / Villingen-Schwenningen
Art. No.	0086.0032
P _{BEP} / Air volume _{BEP} / P _{fs, BEP}	0,15 kW / 3.820 m ³ /h
n _{BEP}	985 1/min
Specific ratio	≈ 1
Information about dismantling and disposal	see mounting instructions
Information about installation, operation and repairs	see mounting instructions
Objects used to measure efficiency which are not described by the measurement category	-
P _{f, BEP}	67 Pa
Sound power level _{L_{WA5}}	71 dB(A)

Sound power level in octave range

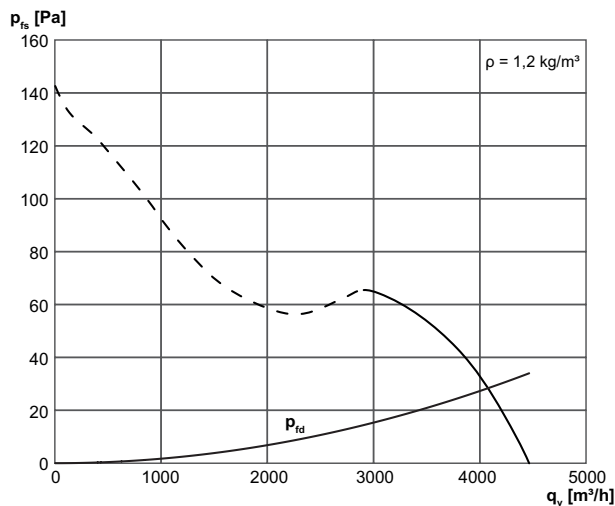
	63 Hz	125 Hz	250 Hz	500 Hz	1 kHz	2 kHz	4 kHz	8 kHz	Total
L_{WA2, S1} (dB(A))	-	-	-	-	-	-	-	-	41
L_{WA2, S2} (dB(A))	-	-	-	-	-	-	-	-	51
L_{WA2, S3} (dB(A))	-	-	-	-	-	-	-	-	57
L_{WA2, S4} (dB(A))	-	-	-	-	-	-	-	-	60
L_{WA2, S5} (dB(A))	31	48	46	59	54	50	44	29	61
L_{WA5, S1} (dB(A))	-	-	-	-	-	-	-	-	56

DZR 45/6 B

	63 Hz	125 Hz	250 Hz	500 Hz	1 kHz	2 kHz	4 kHz	8 kHz	Total
L_{WA5, S2} (dB(A))	-	-	-	-	-	-	-	-	64
L_{WA5, S3} (dB(A))	-	-	-	-	-	-	-	-	67
L_{WA5, S4} (dB(A))	-	-	-	-	-	-	-	-	70
L_{WA5, S5} (dB(A))	31	53	59	68	65	63	55	43	71
L_{WA6, S1} (dB(A))	-	-	-	-	-	-	-	-	58
L_{WA6, S2} (dB(A))	-	-	-	-	-	-	-	-	74
L_{WA6, S3} (dB(A))	-	-	-	-	-	-	-	-	77
L_{WA6, S4} (dB(A))	-	-	-	-	-	-	-	-	78
L_{WA6, S5} (dB(A))	47	68	62	74	73	72	73	70	80

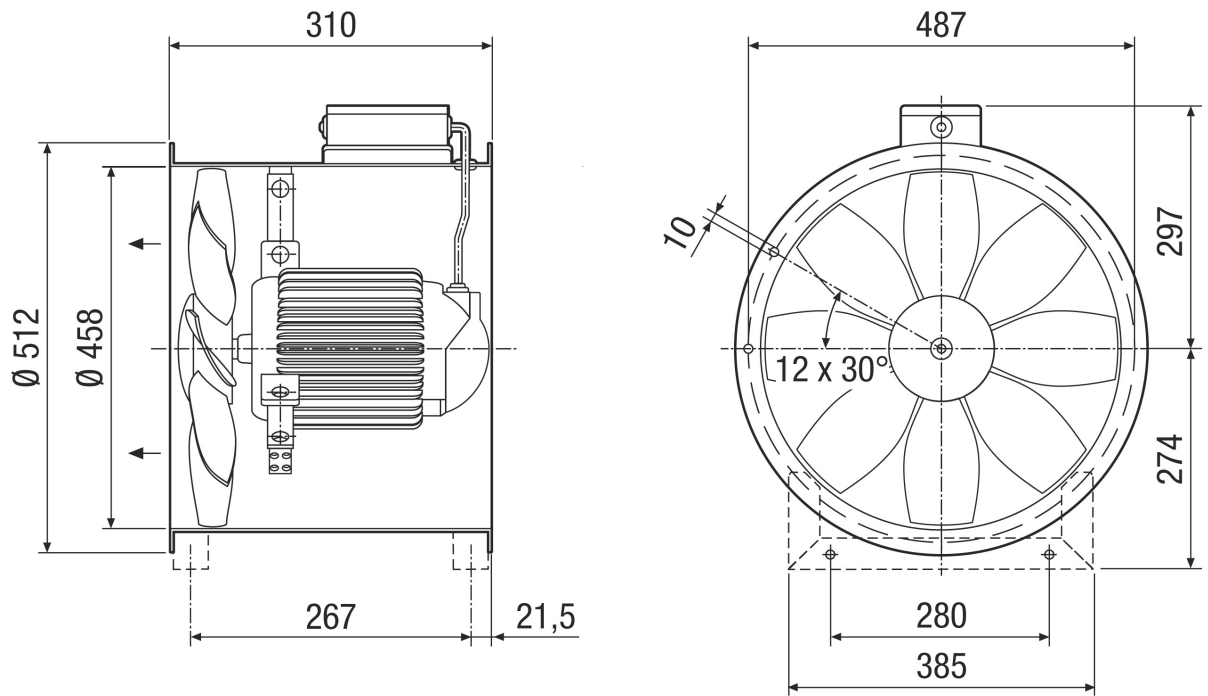
L_{WA2}= housing sound power level in dB.
 L_{WA5}= free inlet sound power level in dB.
 L_{WA6}= free outlet sound power level in dB.

Characteristic curve



DZR 45/6 B

Dimensioned drawing [mm]



Number of flange holes: 12