

DZR 50/6 B Ex t



Short description

Axial duct fan, DN500, three-phase AC, explosion-proof, medium: dust

Article number 0086.0733

Technical data

Air flow volume	5.520 m ³ /h
Rotating speed	955 1/min
Speed controllable	✓
Reversing capacity	✓
Type of voltage	Three-phase AC
Rated voltage	400 V
Frequency	50 Hz
Nominal output	175 W
cosφ	0,44
I _{nom}	0,57 A
I _{max} at U _{Nominal}	0,74 A
Degree of protection	IP 64
Insulation class	F
Material	Sheet steel, galvanised
Colour	galvanised
Weight	16,7 kg
Weight including packaging	20,41 kg
Nominal size	500 mm
Width	624 mm
Height	624 mm
Depth	370 mm
Width with packaging	635 mm
Height with packaging	640 mm
Depth with packaging	410 mm
EX designation in accordance with the ATEX Directive	Ex II 2 D
EX designation in accordance with standard	Ex tb IIIC T135°C Db IP64 X / Ex h IIIC T135°C Db X
Ta ambient temperature	-40 °C ≤ Ta ≤ +40 °C
Time t _A	240 sek
Operating mode	S1

DZR 50/6 B Ex t

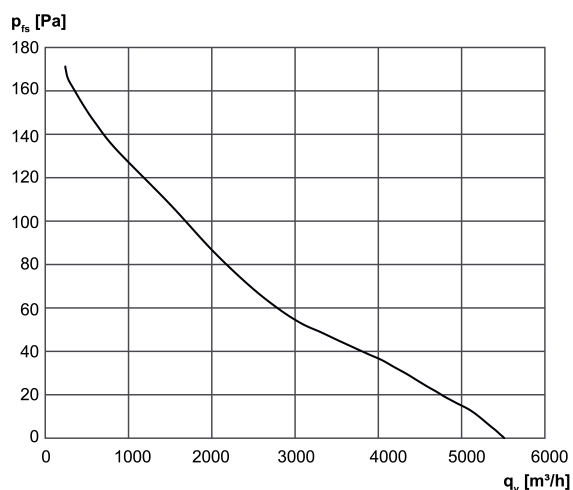
PTC DIN 44082	M 100
EC type examination certificate	TÜV-A 19 ATEX0103 X, IECEx EPS 19.0019X
Temperature class	T135°C
Temperature class of insulating materials Th. Cl.	155 (F)
Packing unit	1 piece
Range	G
GTIN (EAN)	4012799867333

Sound power level in octave range

	63 Hz	125 Hz	250 Hz	500 Hz	1 kHz	2 kHz	4 kHz	8 kHz	Total
L_{WA5}, high (dB)	-	-	-	-	-	-	-	-	71

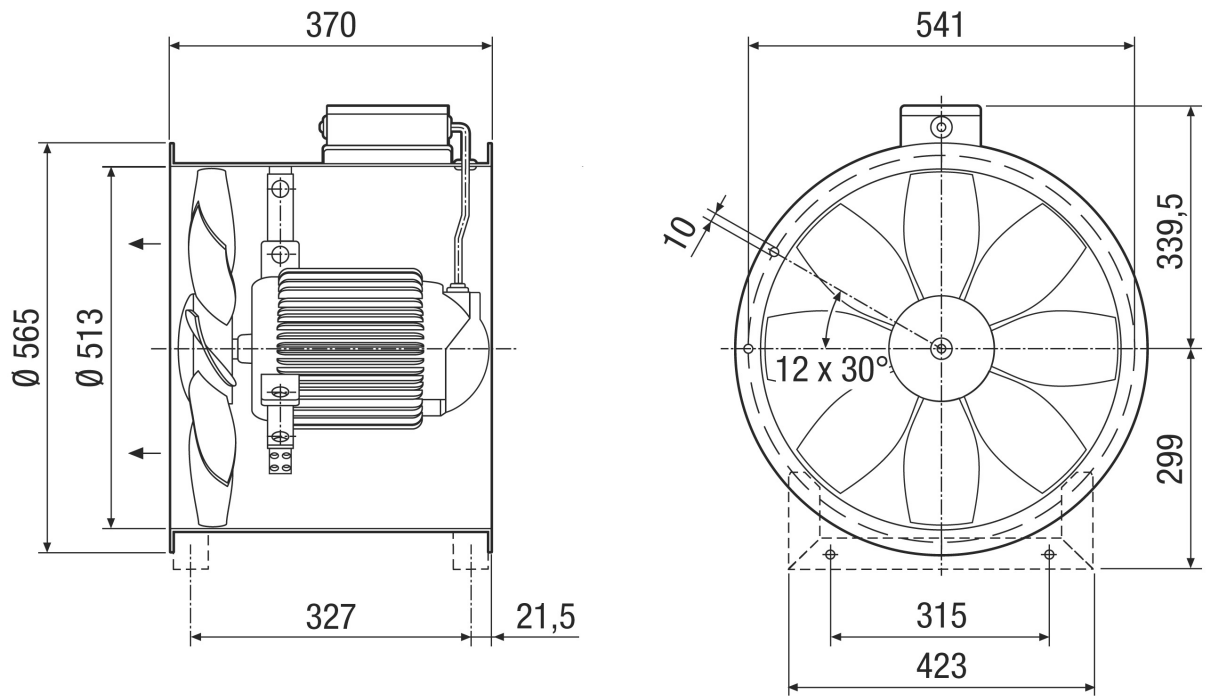
L_{WA5}= free inlet sound power level in dB.

Characteristic curve



DZR 50/6 B Ex t

Dimensioned drawing [mm]



Number of flange holes: 12