

# DZR 56/6 B



## Short description

Axial duct fan, DN 560, three-phase AC

## Application examples

Machine extraction unit, Showroom, Foreman's office, Workshop, Production site

Article number 0086.0063

## Technical data

Air flow volume	8.550 m <sup>3</sup> /h
Air volume $e_{nom}$	5.970 m <sup>3</sup> /h (in opt. efficiency)
Pressure $p_{fs, nom}$	86 Pa (in opt. efficiency)
Rotating speed $n_{nom}$	950 1/min (in opt. efficiency)
Rotating speed	970 1/min
Impeller type	axial
Speed controllable	✓
Reversing capacity	✓
Type of voltage	Three-phase AC
Rated voltage	400 V
Frequency	50 Hz
Nominal output	440 W (in opt. efficiency)
$I_{nom}$	1 A (in opt. efficiency)
$I_{max}$	1,1 A
Degree of protection	IP 55
Insulation class	F
Pole-changeable	–
Mains cable	7 x 1,5 mm <sup>2</sup>
Installation position	horizontal / vertical
Material	Sheet steel, galvanised
Colour	Silver
Weight	24,03 kg
Weight including packaging	28,39 kg
Nominal size	560 mm
Width	664 mm
Height	700 mm
Depth	400 mm
Width with packaging	785 mm
Height with packaging	793 mm

# DZR 56/6 B

Depth with packaging	435 mm
Airstream temperature at $I_{Max}$	60 °C
Packing unit	1 piece
Range	C
GTIN (EAN)	4012799860631

## Technical data according to ErP in Best Efficiency Point (BEP)

Total efficiency $\eta$	49,3 %
Measurement category	D
Efficiency category	total
Efficiency level N	58,2
VSD necessary	No
Year of manufacture	see rating plate
Manufacturer's name / official registration number / manufacturer's place of establishment	Maico Elektroapparate-Fabrik GmbH / Freiburg registration court, HRB 601233 / Villingen-Schwenningen
Art. No.	0086.0063
$P_{BEP}$ / Air volume $_{BEP}$ / $P_{f, BEP}$	0,39 kW / 7.490 m <sup>3</sup> /h
$n_{BEP}$	960 1/min
Specific ratio	$\approx 1$
Information about dismantling and disposal	see mounting instructions
Information about installation, operation and repairs	see mounting instructions
Objects used to measure efficiency which are not described by the measurement category	-
$P_{f, BEP}$	92 Pa
Sound power level $_{L_{WA5}}$	73 dB(A)

## Sound power level in octave range

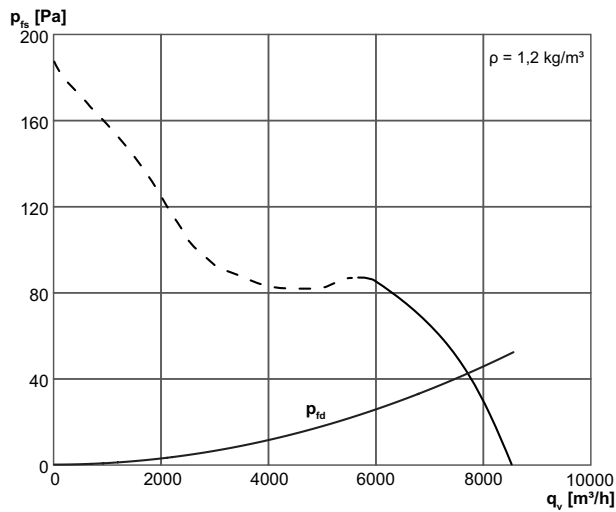
	63 Hz	125 Hz	250 Hz	500 Hz	1 kHz	2 kHz	4 kHz	8 kHz	Total
$L_{WA2, S1}$ (dB(A))	-	-	-	-	-	-	-	-	44
$L_{WA2, S2}$ (dB(A))	-	-	-	-	-	-	-	-	54
$L_{WA2, S3}$ (dB(A))	-	-	-	-	-	-	-	-	62
$L_{WA2, S4}$ (dB(A))	-	-	-	-	-	-	-	-	66
$L_{WA2, S5}$ (dB(A))	39	53	53	65	61	57	50	37	67
$L_{WA5, S1}$ (dB(A))	-	-	-	-	-	-	-	-	50
$L_{WA5, S2}$ (dB(A))	-	-	-	-	-	-	-	-	65

# DZR 56/6 B

	63 Hz	125 Hz	250 Hz	500 Hz	1 kHz	2 kHz	4 kHz	8 kHz	Total
<b>L<sub>WA5</sub>, S3</b> <b>(dB(A))</b>	-	-	-	-	-	-	-	-	70
<b>L<sub>WA5</sub>, S4</b> <b>(dB(A))</b>	-	-	-	-	-	-	-	-	74
<b>L<sub>WA5</sub>, S5</b> <b>(dB(A))</b>	37	61	63	74	71	68	61	50	77
<b>L<sub>WA6</sub>, S1</b> <b>(dB(A))</b>	-	-	-	-	-	-	-	-	58
<b>L<sub>WA6</sub>, S2</b> <b>(dB(A))</b>	-	-	-	-	-	-	-	-	74
<b>L<sub>WA6</sub>, S3</b> <b>(dB(A))</b>	-	-	-	-	-	-	-	-	79
<b>L<sub>WA6</sub>, S4</b> <b>(dB(A))</b>	-	-	-	-	-	-	-	-	83
<b>L<sub>WA6</sub>, S5</b> <b>(dB(A))</b>	56	64	71	79	79	77	78	75	85

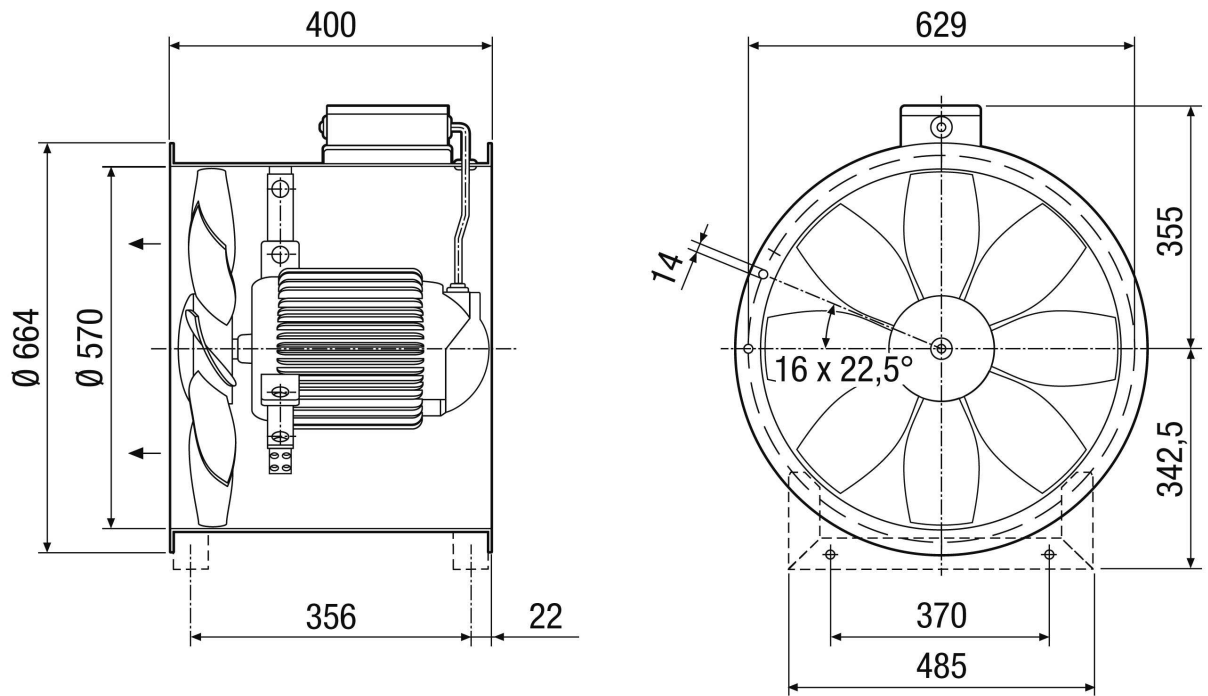
L<sub>WA2</sub>= housing sound power level in dB.  
 L<sub>WA5</sub>= free inlet sound power level in dB.  
 L<sub>WA6</sub>= free outlet sound power level in dB.

## Characteristic curve



# DZR 56/6 B

Dimensioned drawing [mm]



Number of flange holes: 16