

DZR 60/6 B Ex t



Short description

Axial duct fan, DN600, three-phase AC, explosion-proof, medium: dust

Article number 0086.0735

Technical data

Air flow volume	9.370 m ³ /h
Rotating speed	960 1/min
Speed controllable	✓
Reversing capacity	✓
Type of voltage	Three-phase AC
Rated voltage	400 V
Frequency	50 Hz
Nominal output	295 W
cosφ	0,65
I _{nom}	0,66 A
I _{max} at U _{Nominal}	1,25 A
Degree of protection	IP 64
Insulation class	F
Material	Sheet steel, galvanised
Colour	galvanised
Weight	30,1 kg
Weight including packaging	34,48 kg
Nominal size	600 mm
Width	745 mm
Height	745 mm
Depth	400 mm
Width with packaging	770 mm
Height with packaging	790 mm
Depth with packaging	435 mm
EX designation in accordance with the ATEX Directive	Ex II 2 D
EX designation in accordance with standard	Ex tb IIIC T200°C Db IP64 X / Ex h IIIC T200°C Db X
Ta ambient temperature	-40 °C ≤ Ta ≤ +60 °C
I _A /I _N	4,5
Time t _A	290 sek

DZR 60/6 B Ex t

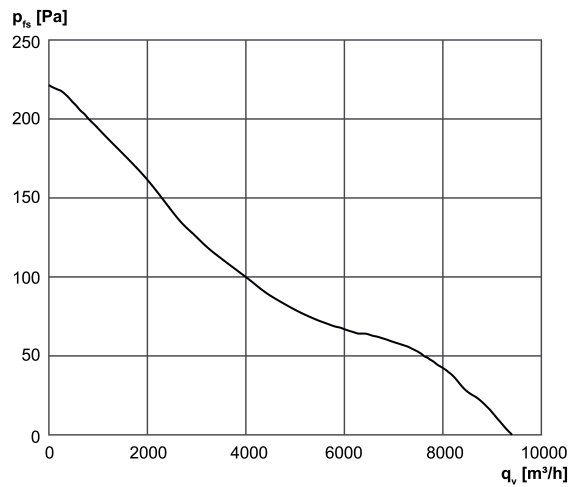
Operating mode	S1
PTC DIN 44082	M 130
EC type examination certificate	TÜV-A 19 ATEX0103 X, IECEx EPS 19.0019X
Temperature class	T200°C
Temperature class of insulating materials Th. Cl.	155 (F)
Packing unit	1 piece
Range	G
GTIN (EAN)	4012799867357

Sound power level in octave range

	63 Hz	125 Hz	250 Hz	500 Hz	1 kHz	2 kHz	4 kHz	8 kHz	Total
L_{WA5}, high (dB)	-	-	-	-	-	-	-	-	77

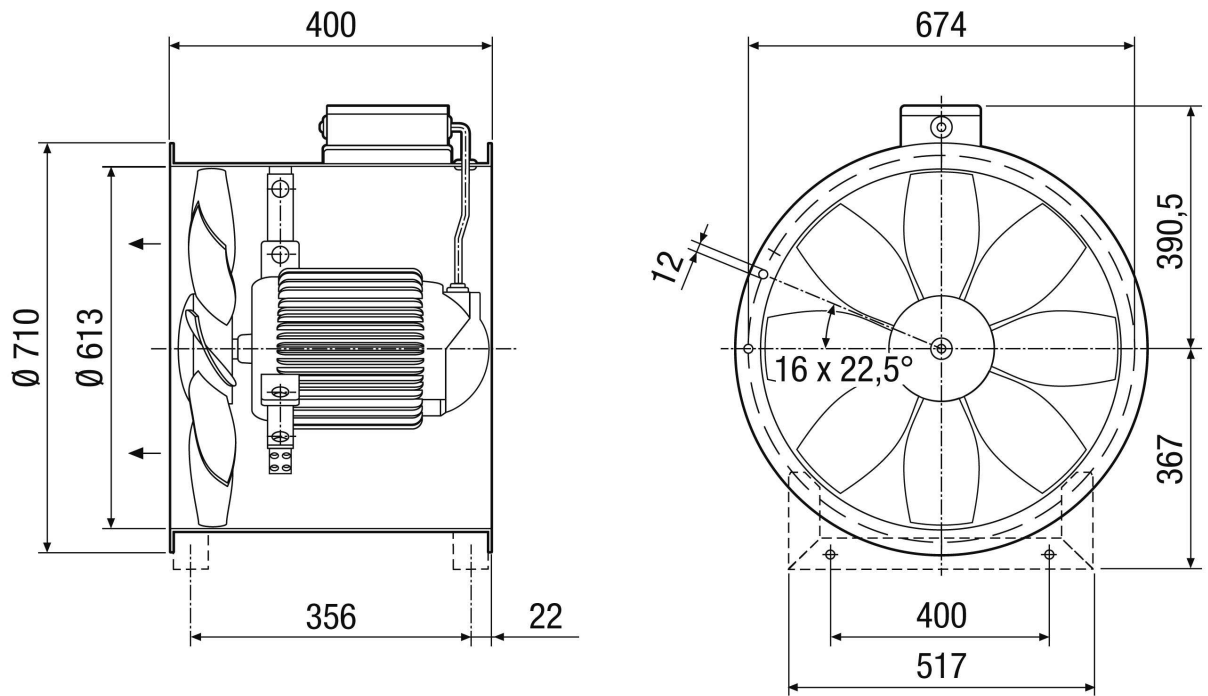
L_{WA5}= free inlet sound power level in dB.

Characteristic curve



DZR 60/6 B Ex t

Dimensioned drawing [mm]



Number of flange holes: 16