

ECO 30 E



Short description

Oscillating axial industrial fans for wall installation, impeller diameter 300 mm

Application examples

Commercial premises, Production facility, Restaurant, Workplace, Showroom

Article number 0088.0010

Technical data

Maximum air circulation	2.800 m³/h
Rotating speed	1.350 1/min
Impeller diameter	300 mm
Impeller type	axial
Speed controllable	✓
Reversing capacity	–
Type of voltage	Alternating current
Rated voltage	230 V
Frequency	50 Hz
Power consumption	37 W
I _{max}	0,25 A
Degree of protection	IP 20
Installation site	Wall
Installation position	vertical / horizontal
Material	Synthetic material
Colour	similar to pearl white, RAL 1013
Weight	3,1 kg
Weight including packaging	4,02 kg
Swivellable	✓
Width	345 mm
Height	345 mm
Depth	330 mm
Width with packaging	355 mm
Height with packaging	355 mm
Depth with packaging	390 mm
Airstream temperature at nominal current	40 °C
Airstream temperature at I _{Max}	40 °C
Ambient temperature	40 °C
Packing unit	1 piece

ECO 30 E

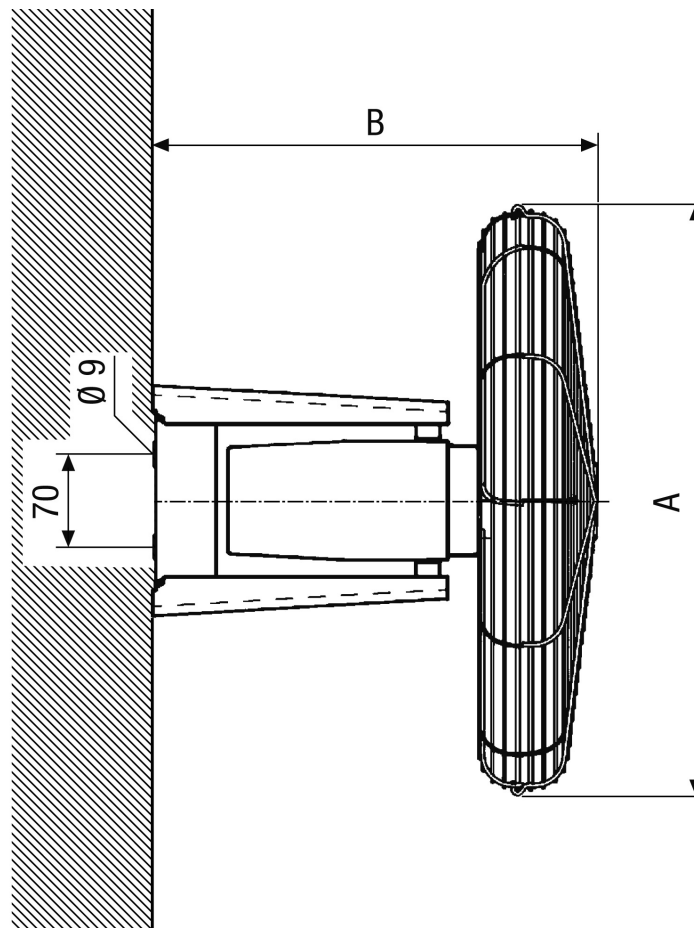
Range	C
GTIN (EAN)	4012799880103

Sound power level in octave range

	63 Hz	125 Hz	250 Hz	500 Hz	1 kHz	2 kHz	4 kHz	8 kHz	Total
L_{WA1, high} (dB(A))	-	-	-	-	-	-	-	-	57

L_{WA1} = Total sound power level of greenhouse fans or air purifiers, free-suction and free-blowing

Dimensioned drawing [mm]



A	B
345	330