

EDR 45-2



Short description

Diagonal fan for duct installation, DN 450

Application examples

Machine extraction unit, Workplace air extraction system, Storage facility, Laboratory

Article number 0080.0624

Technical data

Air flow volume	7.470 m³/h
Rotating speed	2.070 1/min
Impeller type	diagonal
Speed controllable	✓
Type of voltage	Three-phase AC
Rated voltage	400 V
Frequency	50 Hz
Nominal output	1.132 W
I _{max}	2,16 A
Degree of protection	IP X4
Insulation class	F
Installation site	Duct system
Installation position	vertical / horizontal
Material	Aluminium
Colour	Silver
Weight	26,6 kg
Weight including packaging	27,8 kg
Nominal size	450 mm
Width	453 mm
Height	493 mm
Depth	467 mm
Width with packaging	460 mm
Height with packaging	510 mm
Depth with packaging	470 mm
Airstream temperature	60 °C
Ambient temperature	-30 °C up to 60 °C
Packing unit	1 piece
Range	C
GTIN (EAN)	4012799981367

EDR 45-2

Technical data according to ErP in Best Efficiency Point (BEP)

Total efficiency η	73,2 %
Measurement category	B
Efficiency category	total
Efficiency level N	83,2
VSD necessary	Yes
Year of manufacture	see rating plate
Manufacturer's name / official registration number / manufacturer's place of establishment	Maico Elektroapparate-Fabrik GmbH / Freiburg registration court, HRB 601233 / Villingen-Schwenningen
Art. No.	0080.0624
P_{BEP} / Air volume $_{BEP}$ / $P_{fs, BEP}$	1,13 kW / 5.008 m ³ /h / 557 Pa
n_{BEP}	2.052 1/min
Specific ratio	≈ 1
Information about dismantling and disposal	see mounting instructions
Information about installation, operation and repairs	see mounting instructions
Objects used to measure efficiency which are not described by the measurement category	-
I_{BEP}	2,16 A
Sound power level $_{L_{WA5}}$	75 dB(A)

Sound power level in octave range

	63 Hz	125 Hz	250 Hz	500 Hz	1 kHz	2 kHz	4 kHz	8 kHz	Total
L_{WA2}, Level 2 (dB(A))	50	53	60	70	74	67	65	54	76
L_{WA5}, Level 5 (dB(A))	76	79	82	81	85	83	79	71	88
L_{WA6}, Level 6 (dB(A))	51	67	76	86	85	81	77	68	90

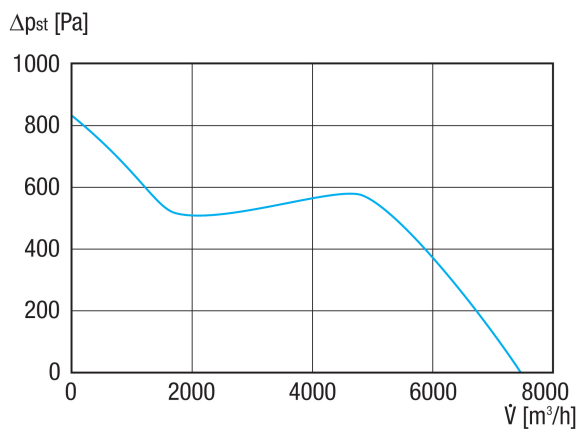
L_{WA2} = housing sound power level in dB.

L_{WA5} = free inlet sound power level in dB.

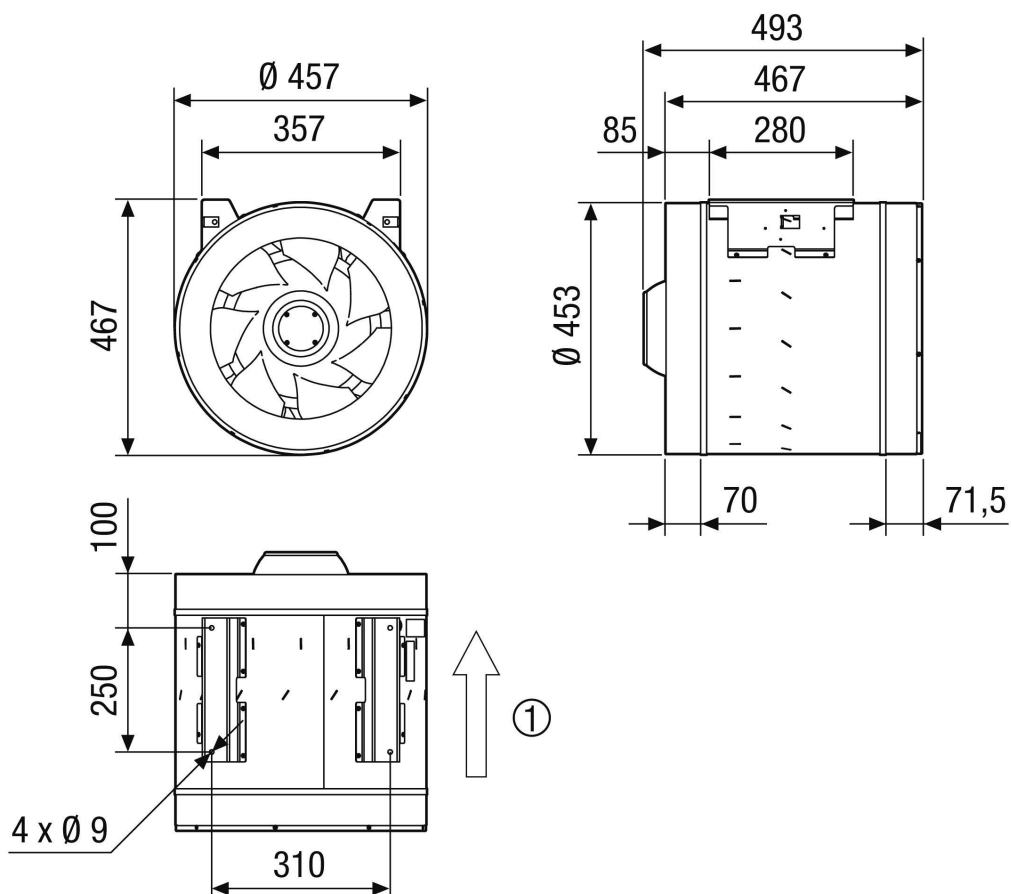
L_{WA6} = free outlet sound power level in dB.

EDR 45-2

Characteristic curve



Dimensioned drawing [mm]



① Airflow direction