

EFG 35 D

Article number	0081.0406	Short description	Greenhouse fan, DN 350, AC
----------------	-----------	-------------------	----------------------------

Technical data

Air flow volume	1.400 m ³ /h
Rotating speed	1.400 1/min
Reversing capacity	✓
Nominal output	47 W
Power consumption	47 W
I _{nom}	0,25 A
I _{max}	0,28 A
Degree of protection	IP X4
Weight	9,3
Nominal size	350 mm
Airstream temperature at nominal current	65 °C
Packing unit	1 piece
Range	C
GTIN (EAN)	4012799814061

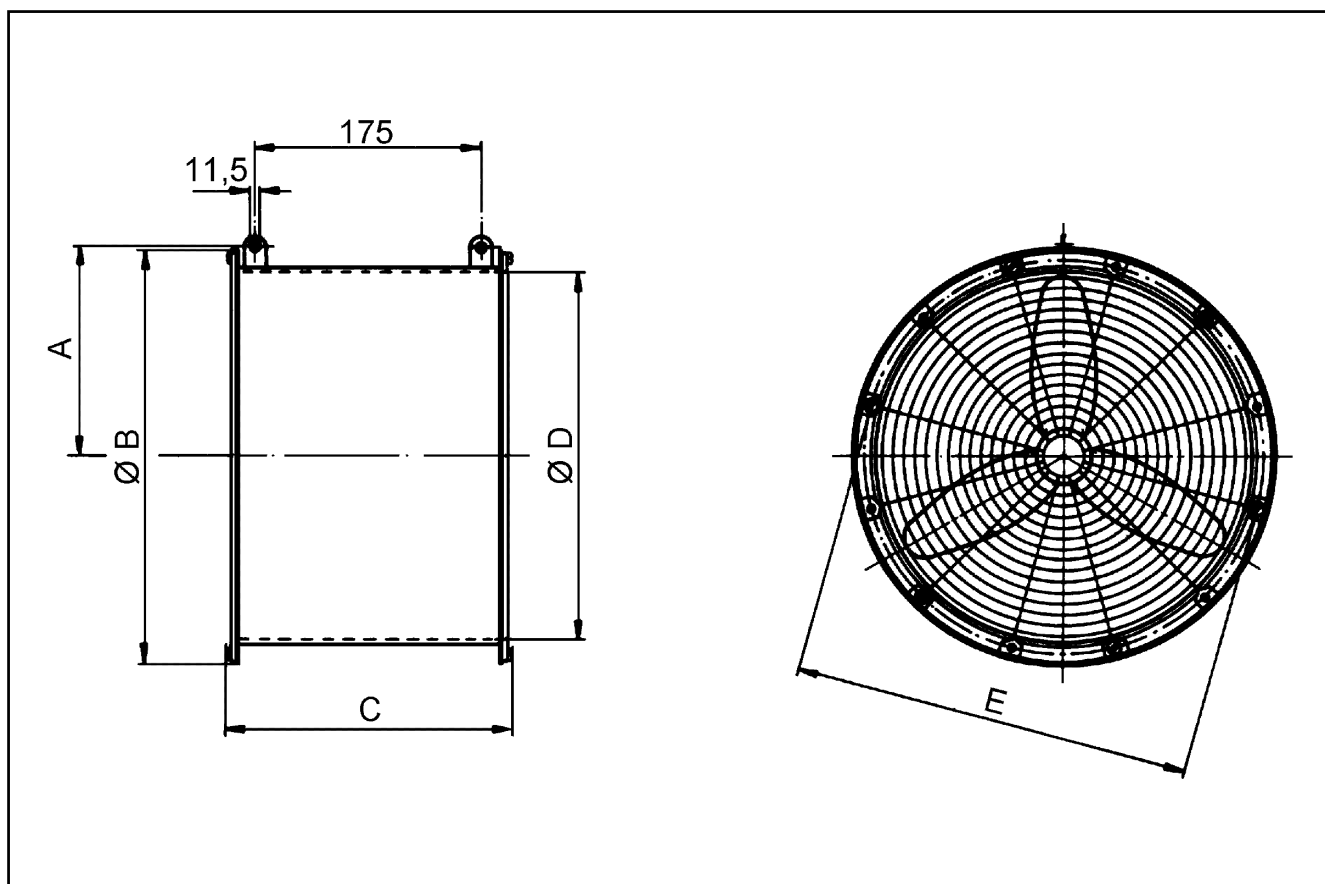
Sound power level in octave range

	63 Hz	125 Hz	250 Hz	500 Hz	1 kHz	2 kHz	4 kHz	8 kHz	Total
L_{WA1, high} (dB(A))	-	-	-	-	-	-	-	-	68

L_{WA1}= total sound power level for the greenhouse fans, free inlet and free outlet.

EFG 35 D

Dimensioned drawing [mm]



A	B	C	D	E
207	420	260	363	395