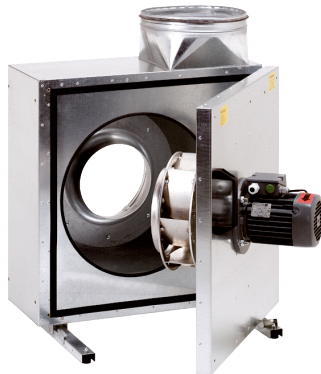


EKR 31-3



Short description

Sound-insulated exhaust air box, DN 315, three-phase AC

Application examples

Extraction hood, Canteen kitchen, Workplace air extraction system, Machine extraction unit

Article number 0080.0629

Technical data

Air flow volume	3.350 m ³ /h
Rotating speed	2.920 1/min
Impeller type	radial
Speed controllable	✓
Reversing capacity	–
Type of voltage	Three-phase AC
Rated voltage	400 V
Frequency	50 Hz
Nominal output	750 W
I _{max}	1,34 A
Degree of protection	IP X4
Insulation class	F
Installation site	Wall / ceiling / Floor
Installation position	vertical / horizontal
Material	Sheet steel, galvanised
Colour	Silver
Weight	38,5 kg
Weight including packaging	45,5 kg
Nominal size	315 mm
Width	692 mm
Height	592 mm
Depth	555 mm
Width with packaging	780 mm
Height with packaging	735 mm
Depth with packaging	700 mm
Airstream temperature at I _{Max}	120 °C
Airstream temperature	120 °C
Ambient temperature	60 °C
Packing unit	1 piece

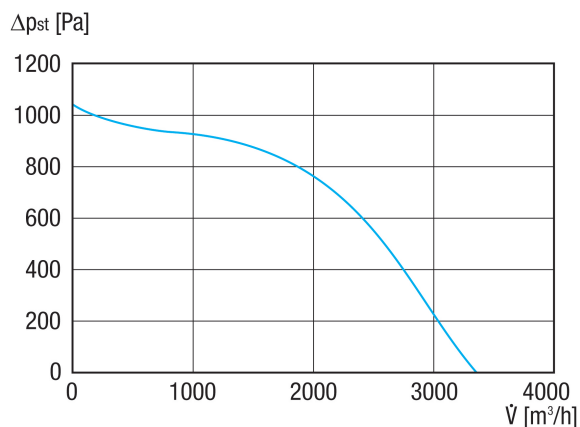
EKR 31-3

Range	C
GTIN (EAN)	4012799981411

Technical data according to ErP in Best Efficiency Point (BEP)

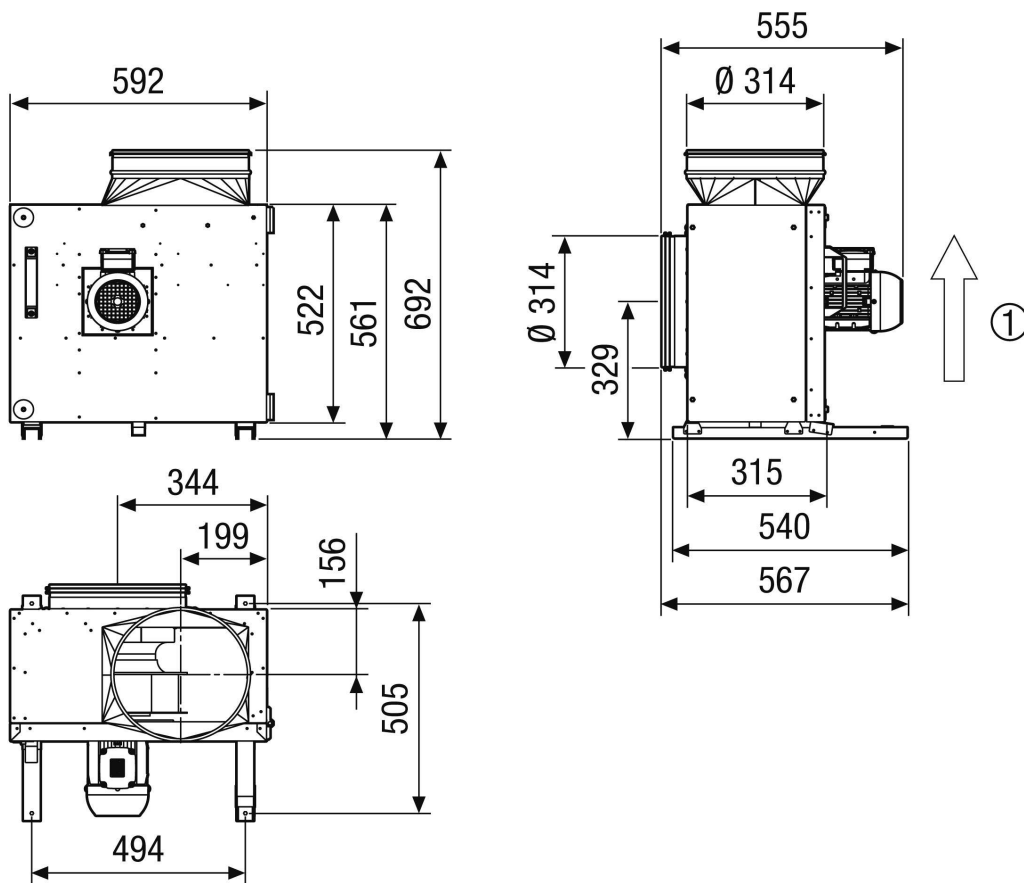
Total efficiency η	56,5 %
Efficiency category	static
VSD necessary	Yes
Year of manufacture	see rating plate
Manufacturer's name / official registration number / manufacturer's place of establishment	Maico Elektroapparate-Fabrik GmbH / Freiburg registration court, HRB 601233 / Villingen-Schwenningen
Art. No.	0080.0629
P_{BEP} / Air volume $_{BEP}$ / $P_{fs, BEP}$	0,75 kW / 2.016 m ³ /h / 754 Pa
n_{BEP}	2.768 1/min
Information about dismantling and disposal	see mounting instructions
Information about installation, operation and repairs	see mounting instructions
Objects used to measure efficiency which are not described by the measurement category	-
Sound power level L_{WA2}	77 dB(A)

Characteristic curve



EKR 31-3

Dimensioned drawing [mm]



① Airflow direction