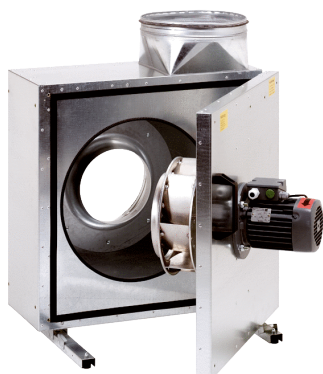


EKR 35-3



Short description

Sound-insulated exhaust air box, DN 350, three-phase AC

Application examples

Extraction hood, Canteen kitchen, Workplace air extraction system, Machine extraction unit

Article number 0080.0630

Technical data

Air flow volume	6.660 m ³ /h
Rotating speed	1.278 1/min
Impeller type	radial
Speed controllable	✓
Reversing capacity	–
Type of voltage	Three-phase AC
Rated voltage	400 V
Frequency	50 Hz
Nominal output	1.278 W
I _{max}	2,54 A
Degree of protection	IP X4
Insulation class	F
Installation site	Wall / ceiling / Floor
Installation position	vertical / horizontal
Material	Sheet steel, galvanised
Colour	Silver
Weight	74,9 kg
Weight including packaging	87,9 kg
Nominal size	350 mm
Width	916 mm
Height	669 mm
Depth	832 mm
Width with packaging	1.010 mm
Height with packaging	855 mm
Depth with packaging	950 mm
Airstream temperature at I _{Max}	120 °C
Ambient temperature	60 °C
Packing unit	1 piece
Range	C

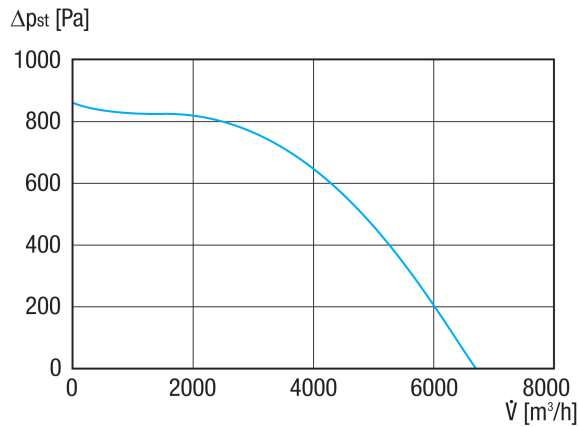
EKR 35-3

GTIN (EAN)	4012799981428
------------	---------------

Technical data according to ErP in Best Efficiency Point (BEP)

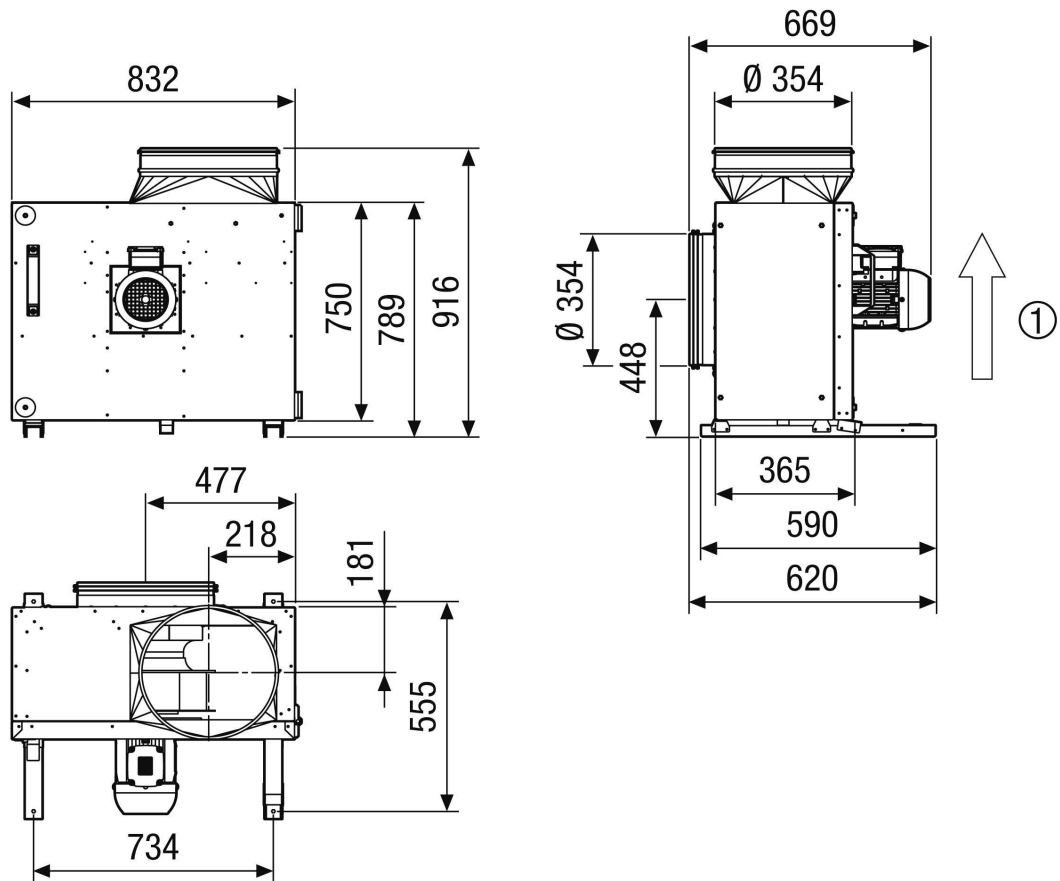
Total efficiency η	64 %
Efficiency category	static
VSD necessary	Yes
Year of manufacture	see rating plate
Manufacturer's name / official registration number / manufacturer's place of establishment	Maico Elektroapparate-Fabrik GmbH / Freiburg registration court, HRB 601233 / Villingen-Schwenningen
Art. No.	0080.0630
P_{BEP} / Air volume $_{BEP}$ / $P_{fs, BEP}$	0,84 kW / 3.636 m ³ /h / 699 Pa
n_{BEP}	1.605 1/min
Information about dismantling and disposal	see mounting instructions
Information about installation, operation and repairs	see mounting instructions
Objects used to measure efficiency which are not described by the measurement category	-
Sound power level L_{WA2}	80 dB(A)

Characteristic curve



EKR 35-3

Dimensioned drawing [mm]



① Airflow direction