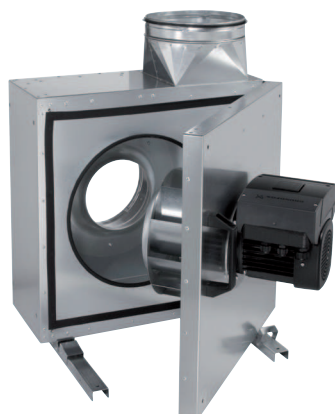


EKR 35 FU



Short description

Sound-insulated exhaust air box with frequency converter, DN 355, alternating current

Application examples

Extraction hood, Canteen kitchen, Workplace air extraction system, Machine extraction unit

Article number 0080.0897

Technical data

Air flow volume	5.890 m ³ /h
Rotating speed	1.610 1/min
Speed controllable	✓
Type of voltage	Alternating current
Rated voltage	230 V
Frequency	50 Hz
Nominal output	1.260 W
I _{nom}	5,6 A
I _{max}	5,9 A
Degree of protection	IP X4
Degree of protection for motor	IP 55
Insulation class	F
Mains cable	5 / 1,5 mm ²
Weight	66 kg
Swivelling fan	✓
Nominal size	355 mm
Width	784 mm
Height	784 mm
Depth	386 mm
Airstream temperature at nominal current	-20 °C up to 120 °C
Airstream temperature at I _{Max}	-20 °C up to 120 °C
Ambient temperature	-25 °C up to 40 °C
Packing unit	1 piece
Range	E
GTIN (EAN)	4012799808978

EKR 35 FU

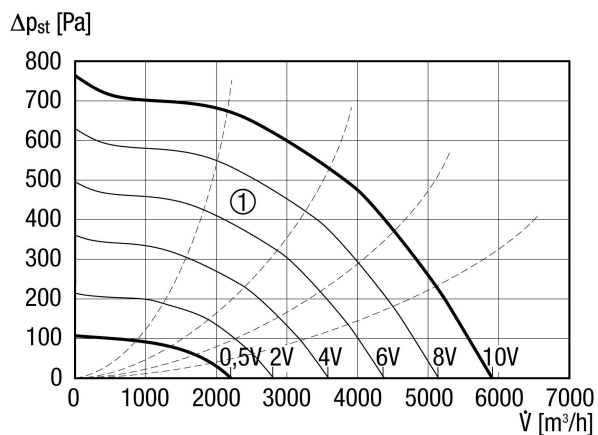
Sound power level in octave range

	63 Hz	125 Hz	250 Hz	500 Hz	1 kHz	2 kHz	4 kHz	8 kHz	Total
L_{WA2}, Level 2 (dB(A))	51	66	68	63	61	58	51	47	72
L_{WA2}, Level 3 (dB(A))	48	64	67	66	64	61	51	46	72
L_{WA2}, Level 4 (dB(A))	49	67	71	66	64	61	50	45	74
L_{WA2}, Level 5 (dB(A))	51	69	72	66	63	61	49	45	75
L_{WA5}, Level 2 (dB(A))	56	71	76	77	75	74	70	63	82
L_{WA5}, Level 3 (dB(A))	50	71	74	74	73	73	71	67	81
L_{WA5}, Level 4 (dB(A))	49	73	76	76	74	74	71	67	82
L_{WA5}, Level 5 (dB(A))	53	75	78	78	76	75	72	68	84
L_{WA6}, Level 2 (dB(A))	56	70	77	77	77	76	70	61	83
L_{WA6}, Level 3 (dB(A))	46	67	71	73	74	73	70	62	80
L_{WA6}, Level 4 (dB(A))	50	70	74	76	75	74	70	63	81
L_{WA6}, Level 5 (dB(A))	57	76	77	77	77	75	72	64	84

L_{WA2}= housing sound power level in dB.
 L_{WA5}= free inlet sound power level in dB.
 L_{WA6}= free outlet sound power level in dB.

EKR 35 FU

Characteristic curve



① Auxiliary characteristics curves for control voltage 0.5 - 10 V

Dimensioned drawing [mm]

