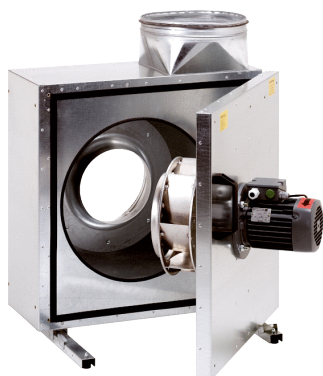


# EKR 40-3



## Short description

Sound-insulated exhaust air box, DN 400, three-phase AC

## Application examples

Extraction hood, Canteen kitchen, Workplace air extraction system, Machine extraction unit

Article number 0080.0631

## Technical data

Air flow volume	7.890 m <sup>3</sup> /h
Rotating speed	1.350 1/min
Impeller type	radial
Speed controllable	✓
Reversing capacity	–
Type of voltage	Three-phase AC
Rated voltage	400 V
Frequency	50 Hz
Nominal output	1.504 W
I <sub>max</sub>	2,98 A
Degree of protection	IP X4
Insulation class	F
Installation site	Wall / ceiling / Floor
Installation position	vertical / horizontal
Material	Sheet steel, galvanised
Colour	Silver
Weight	112,7 kg
Weight including packaging	128,7 kg
Nominal size	400 mm
Width	1.098 mm
Height	822 mm
Depth	1.016 mm
Width with packaging	1.200 mm
Height with packaging	1.035 mm
Depth with packaging	1.140 mm
Airstream temperature at I <sub>Max</sub>	120 °C
Airstream temperature	120 °C
Ambient temperature	60 °C
Packing unit	1 piece

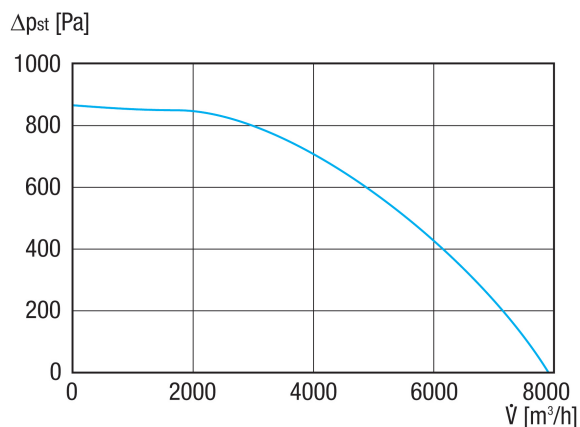
# EKR 40-3

Range	C
GTIN (EAN)	4012799981435

## Technical data according to ErP in Best Efficiency Point (BEP)

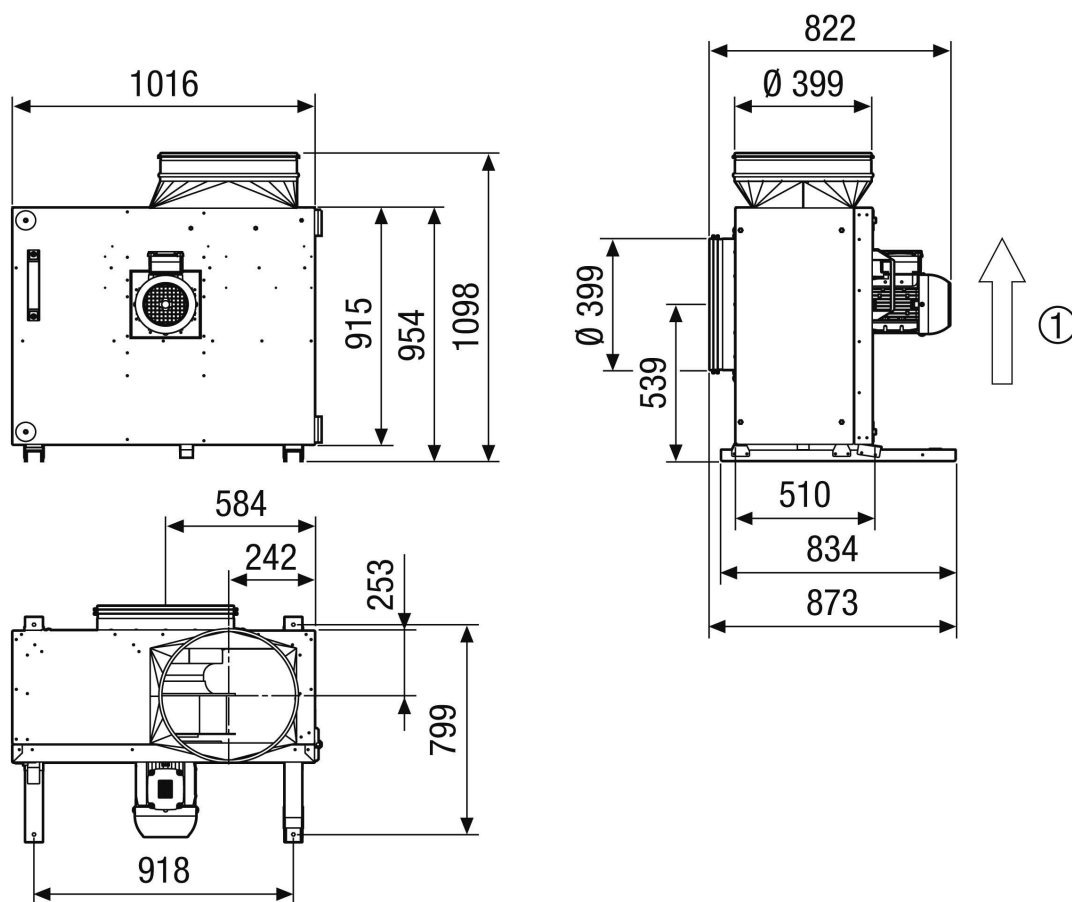
Total efficiency $\eta$	64 %
Efficiency category	static
VSD necessary	Yes
Year of manufacture	see rating plate
Manufacturer's name / official registration number / manufacturer's place of establishment	Maico Elektroapparate-Fabrik GmbH / Freiburg registration court, HRB 601233 / Villingen-Schwenningen
Art. No.	0080.0631
$P_{BEP}$ / Air volume $_{BEP}$ / $P_{fs, BEP}$	1,35 kW / 3.852 m <sup>3</sup> /h / 723 Pa
$n_{BEP}$	1.453 1/min
Information about dismantling and disposal	see mounting instructions
Information about installation, operation and repairs	see mounting instructions
Objects used to measure efficiency which are not described by the measurement category	-
Sound power level $L_{WA2}$	77 dB(A)

## Characteristic curve



# EKR 40-3

Dimensioned drawing [mm]



① Airflow direction