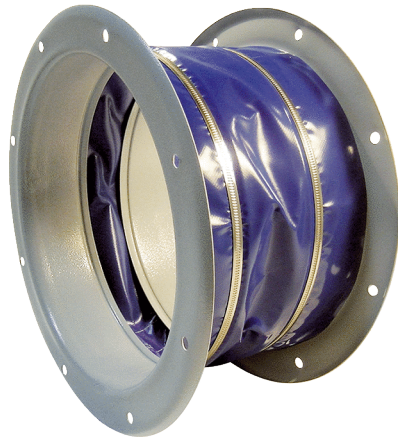


ELI 71



Short description

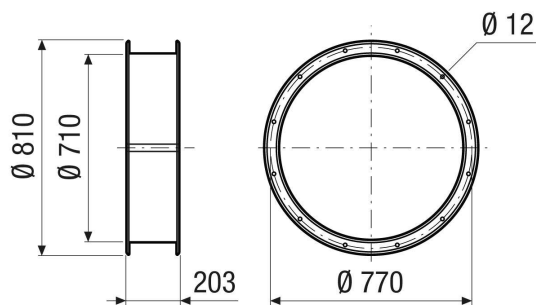
Flexible coupling for sound- and vibration-damped installation, DN 710

Article number 0073.0219

Technical data

Installation site	Fans
Material	Sheet steel, epoxy coated
Colour	grey
Weight	13 kg
Weight including packaging	13 kg
Nominal size	710 mm
Width	810 mm
Height	708 mm
Depth	203 mm
Width with packaging	810 mm
Height with packaging	708 mm
Depth with packaging	203 mm
Packing unit	1 piece
Range	C
GTIN (EAN)	4012799732198

Dimensioned drawing [mm]



ELI 71

