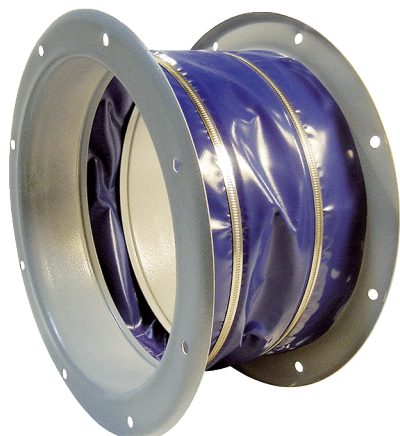


ELI 90



Short description

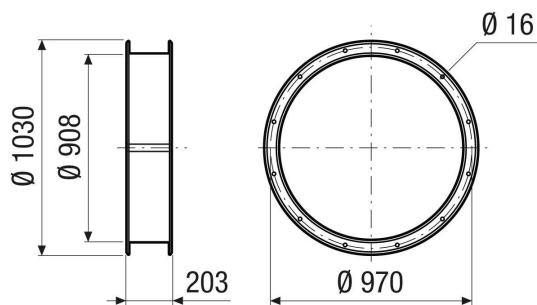
Flexible coupling for sound- and vibration-damped installation, DN 900

Article number 0073.0221

Technical data

Installation site	Fans
Material	Sheet steel, epoxy coated
Colour	grey
Weight	23 kg
Weight including packaging	23 kg
Nominal size	900 mm
Width	1.030 mm
Height	908 mm
Depth	203 mm
Width with packaging	1.030 mm
Height with packaging	908 mm
Depth with packaging	203 mm
Packing unit	1 piece
Range	C
GTIN (EAN)	4012799732211

Dimensioned drawing [mm]



ELI 90

