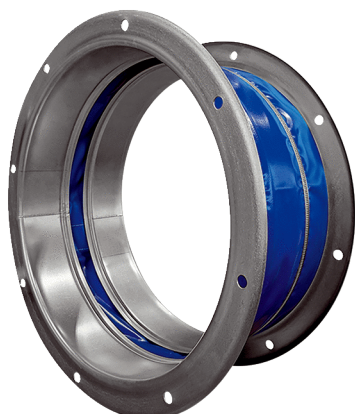


# ELI v 100



## Short description

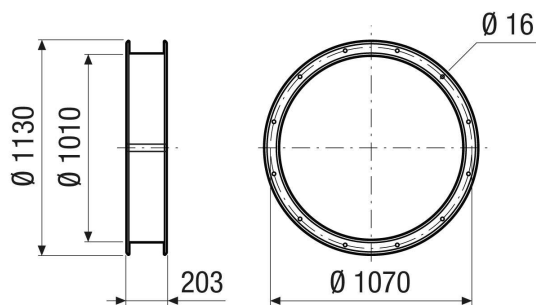
Flexible coupling for sound- and vibration-damped installation, galvanised, DN 1000

Article number 0073.0704

## Technical data

Installation site	Fans
Material	Sheet steel, galvanised
Colour	Silver
Weight	26 kg
Weight including packaging	26 kg
Nominal size	1.000 mm
Width	1.130 mm
Height	1.010 mm
Depth	203 mm
Width with packaging	1.130 mm
Height with packaging	1.010 mm
Depth with packaging	203 mm
Packing unit	1 piece
Range	C
GTIN (EAN)	4012799737049

## Dimensioned drawing [mm]



ELI v 100

