

ELI v 112



Short description

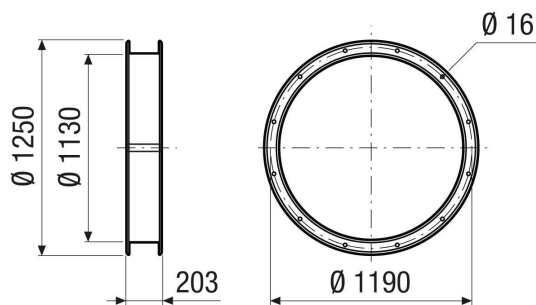
Flexible coupling for sound- and vibration-damped installation, galvanised, DN 1120

Article number 0073.0705

Technical data

Installation site	Fans
Material	Sheet steel, galvanised
Colour	Silver
Weight	29 kg
Weight including packaging	29 kg
Nominal size	1.120 mm
Width	1.250 mm
Height	1.130 mm
Depth	203 mm
Width with packaging	1.250 mm
Height with packaging	1.130 mm
Depth with packaging	203 mm
Packing unit	1 piece
Range	C
GTIN (EAN)	4012799737056

Dimensioned drawing [mm]



ELI v 112

