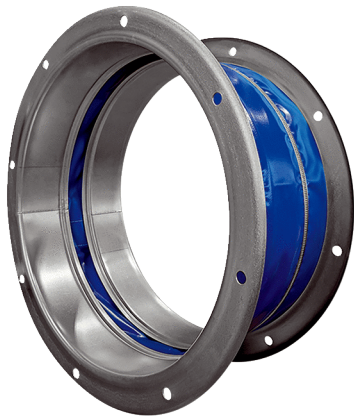


ELI v 56



Short description

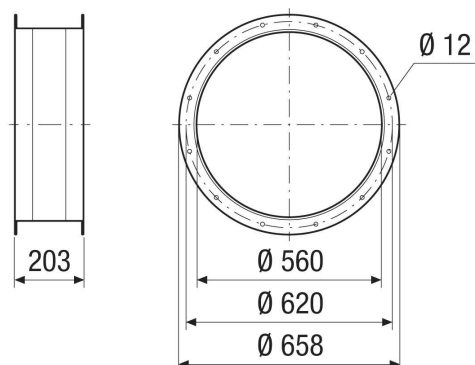
Flexible coupling for sound- and vibration-damped mounting, galvanised, DN 560

Article number 0073.0699

Technical data

Installation site	Fans
Material	Sheet steel, galvanised
Colour	Silver
Weight	10 kg
Weight including packaging	10 kg
Nominal size	560 mm
Width	658 mm
Height	203 mm
Depth	658 mm
Width with packaging	658 mm
Height with packaging	203 mm
Depth with packaging	658 mm
Packing unit	1 piece
Range	C
GTIN (EAN)	4012799736998

Dimensioned drawing [mm]



ELI v 56

