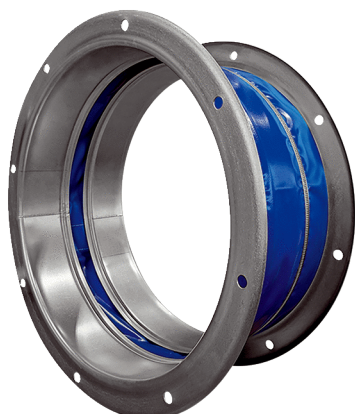


# ELI v 63



## Short description

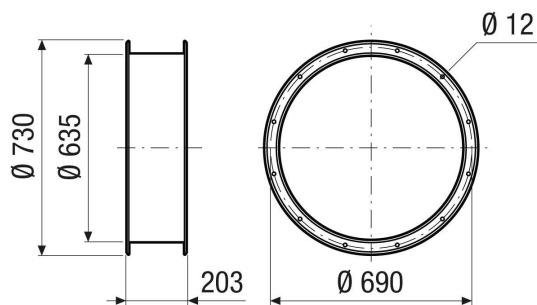
Flexible coupling for sound- and vibration-damped installation, galvanised, DN 630

Article number 0073.0700

## Technical data

Installation site	Fans
Material	Sheet steel, galvanised
Colour	Silver
Weight	11 kg
Weight including packaging	11 kg
Nominal size	630 mm
Width	730 mm
Height	635 mm
Depth	203 mm
Width with packaging	730 mm
Height with packaging	635 mm
Depth with packaging	203 mm
Packing unit	1 piece
Range	C
GTIN (EAN)	4012799737001

## Dimensioned drawing [mm]



# ELI v 63

