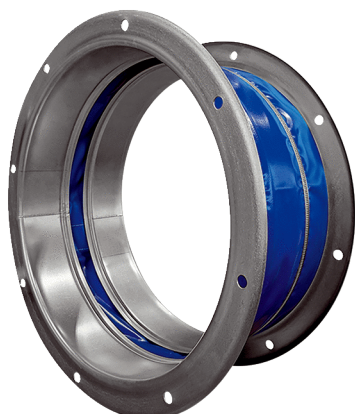


# ELI v 71



## Short description

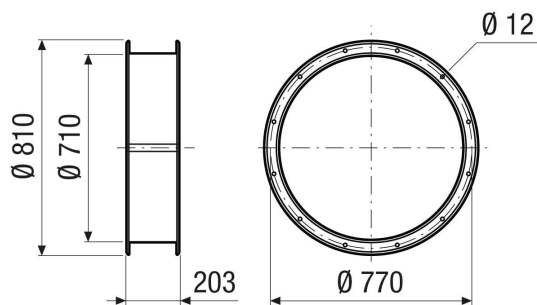
Flexible coupling for sound- and vibration-damped installation, galvanised, DN 710

Article number 0073.0701

## Technical data

Installation site	Fans
Material	Sheet steel, galvanised
Colour	Silver
Weight	13 kg
Weight including packaging	13 kg
Nominal size	710 mm
Width	810 mm
Height	708 mm
Depth	203 mm
Width with packaging	810 mm
Height with packaging	708 mm
Depth with packaging	203 mm
Packing unit	1 piece
Range	C
GTIN (EAN)	4012799737018

## Dimensioned drawing [mm]



ELI v 71

