

ELI v 80



Short description

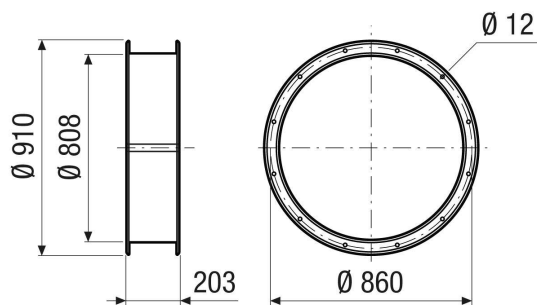
Flexible coupling for sound- and vibration-damped mounting, galvanised, DN 800

Article number 0073.0702

Technical data

| | |
|----------------------------|-------------------------|
| Installation site | Fans |
| Material | Sheet steel, galvanised |
| Colour | Silver |
| Weight | 21 kg |
| Weight including packaging | 21 kg |
| Nominal size | 800 mm |
| Width | 910 mm |
| Height | 808 mm |
| Depth | 203 mm |
| Width with packaging | 910 mm |
| Height with packaging | 808 mm |
| Depth with packaging | 203 mm |
| Packing unit | 1 piece |
| Range | C |
| GTIN (EAN) | 4012799737025 |

Dimensioned drawing [mm]



ELI v 80

