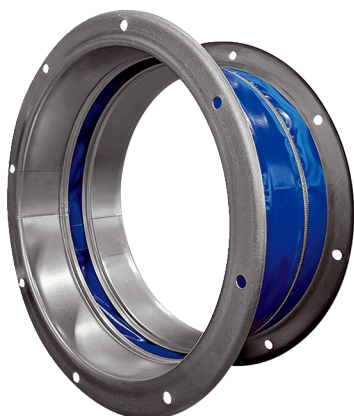


ELI v 90



Short description

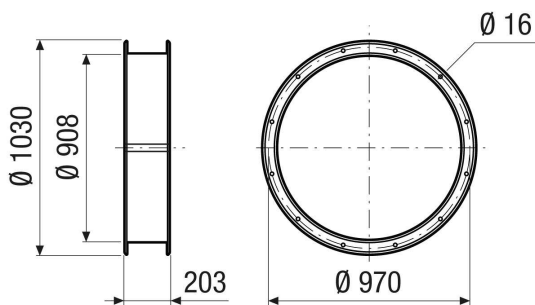
Flexible coupling for sound- and vibration-damped installation, galvanised, DN 900

Article number 0073.0703

Technical data

Installation site	Fans
Material	Sheet steel, galvanised
Colour	Silver
Weight	23 kg
Weight including packaging	23 kg
Nominal size	900 mm
Width	1.030 mm
Height	908 mm
Depth	203 mm
Width with packaging	1.030 mm
Height with packaging	908 mm
Depth with packaging	203 mm
Packing unit	1 piece
Range	C
GTIN (EAN)	4012799737032

Dimensioned drawing [mm]



ELI v 90

